

Parts Catalog No. A997

NOTE: Parts Catalog 989 must be retained for Models 155 and 195 Tractors prior to Serial Numbers listed below.

CASE

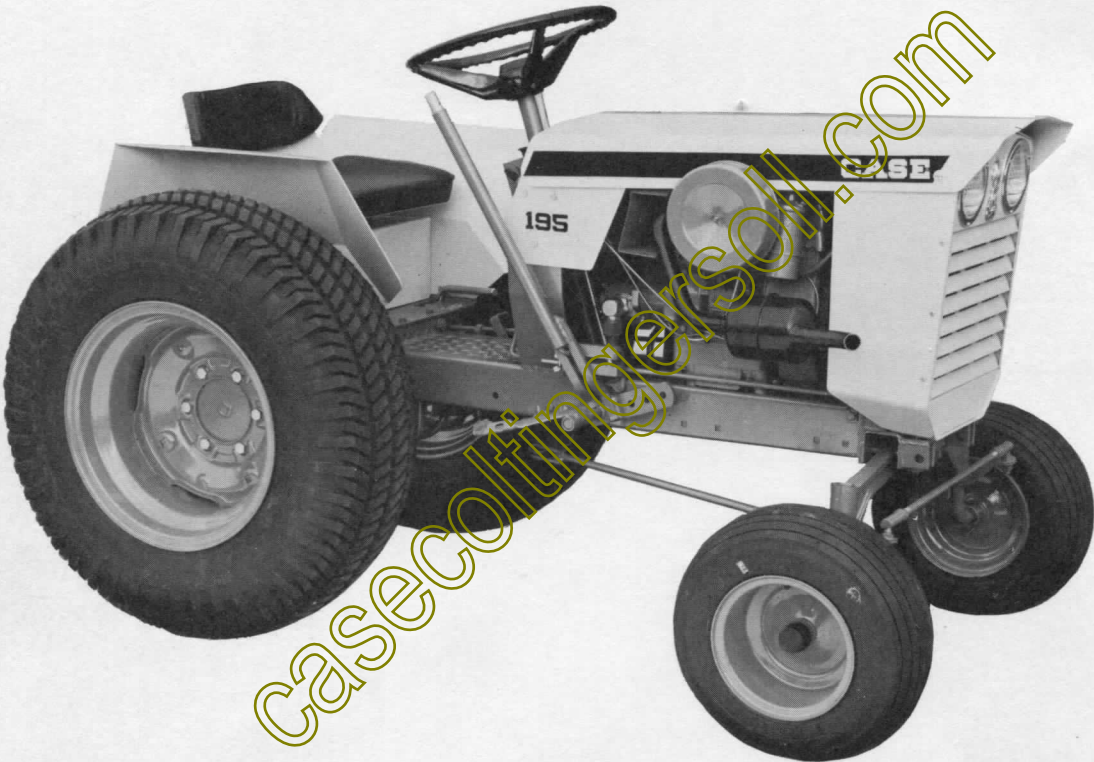
MODEL 155 S/N 9615882 AND AFTER
MODEL 195 S/N 9620622 AND AFTER

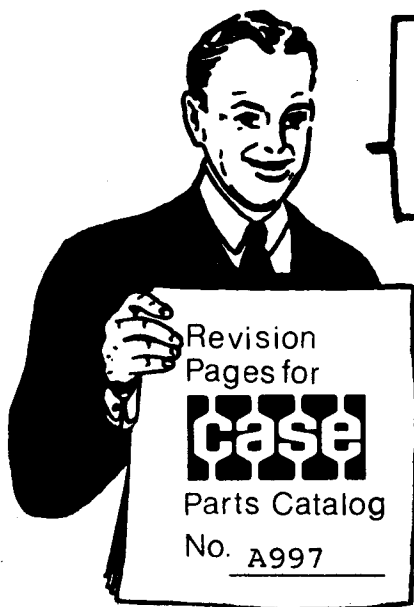


PRICE 75 CENTS



J. I. CASE COMPANY
Racine, Wisconsin, U.S.A.





Here's your set of
Revision Pages to
keep your Parts Dept.
Up-To-Date!

Parts Catalog No. A997

For Models 155 & 195
Compact Tractors

Revision No. 1

To Pages:

35 - 35A
35B - 36

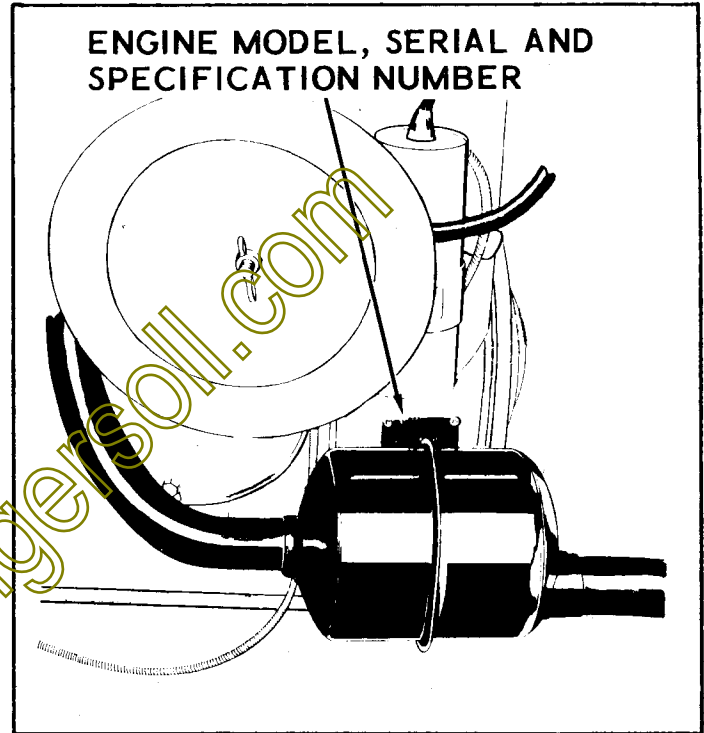
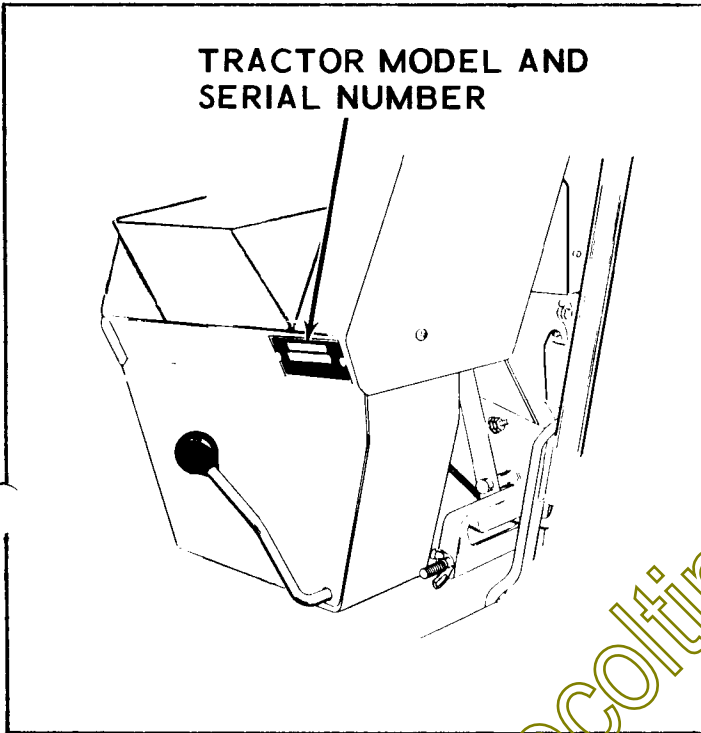
casecoltingersoll.com

Insert the attached revised pages in your copy of the
above Catalog.

This Catalog has been printed in loose leaf style to
allow your Parts Department to keep their Catalogs
current and up-to-date. Insert these pages promptly
in their proper places. Remove and destroy the pages
they replace.

Issue Date October 1971
Print Shop 2000

CASE 155 AND 195 GARDEN TRACTORS



NOTE: THIS CATALOG IS FOR USE WITH MODEL 155 TRACTORS WITH SERIAL NUMBERS 9615882 AND AFTER AND MODEL 195 TRACTORS WITH SERIAL NUMBERS 9620622 AND AFTER. USE PARTS CATALOG NO. 989 FOR MODEL 155 AND 195 TRACTORS WITH SERIAL NUMBERS PRIOR TO THOSE LISTED ABOVE.

TRACTOR MODEL DESIGNATIONS	ENGINE MODEL DESIGNATIONS
155 TRACTOR	K241 A Engine - C12178
195 TRACTOR	K301 A Engine - C12179

Serial Numbers

When using this catalog, notice the reference to serial numbers of various components noted here and listed in the "description" copy. By referring to correct serial numbers, proper parts identification will be assured.

GENERAL INFORMATION

Indexes

This Parts Catalog is arranged for easy identification of Genuine CASE Service Parts. An alphabetical index is provided at the front of this Catalog to locate the major groups or assemblies. A numerical index at the rear of the Catalog gives the part numbers and the pages on which they are described.

Illustrations

All parts are illustrated in "Exploded Views" which show the individual parts in their normal relationship to each other. Reference numbers are used in the illustrations. These numbers correspond to those in the "Reference Number" column and are followed by the part number, description and quantity required.

Orders

Orders should plainly specify correct part number, full description, quantity required, machine model and engine model, machine and engine serial numbers, method of shipment and shipping address.

Changes

When changes to the machine make it necessary, revised pages for this book will be issued. The revised pages will be issued with the same page number as those they replace and the "issue" number and date will be advanced.

It is imperative that revised Parts Book pages be inserted into their respective Parts Books as soon as received. Failure to do so will lead to confusion and defeat the purpose of the book.

Indented Description

Indented parts in the descriptive list are a part of the preceding assembly or sub-assembly. The quantity shown in the "Number Required" column is the number of parts used on a machine except where parts are indented in descriptive list. In this case the quantity shown is the number required for the preceding assembly or sub-assembly.

REF.	PART NO.	DESCRIPTION	REQ'D
	A 55159	CYLINDER ASSY - rear steering	1
28	A 56208	SOCKET ASSY - rear cylinder	1
29	A 55956	PLUG - adjusting, socket assy	1
30	A 55957	SEAT - socket ball.	2
31	A 56210	SPRING - socket	1
32	A 56209	SEAT - socket spring	1
33	G 45175	CLAMP ASSY - socket assy	1
	16- 836	BOLT - 1/2" x 2-1/4" N.F.hex.	1
34	132- 104	PIN - cotter, 3/16" x 3".	1
35	A 55889	STUD - ball,socket & cylinder	2
36	13- 410	BOLT - 1/4" x 5/8" N.C.,hex.	4
37	92- 4	LOCKWASHER - 1/4" SAE	4

Terms "Right Hand" and "Left Hand"

The terms "Right Hand" and "Left Hand" whenever used in this Catalog refers to the machine as viewed when seated in the operator's seat facing the direction of travel.

ALPHABETICAL INDEX

ENGINE SECTION

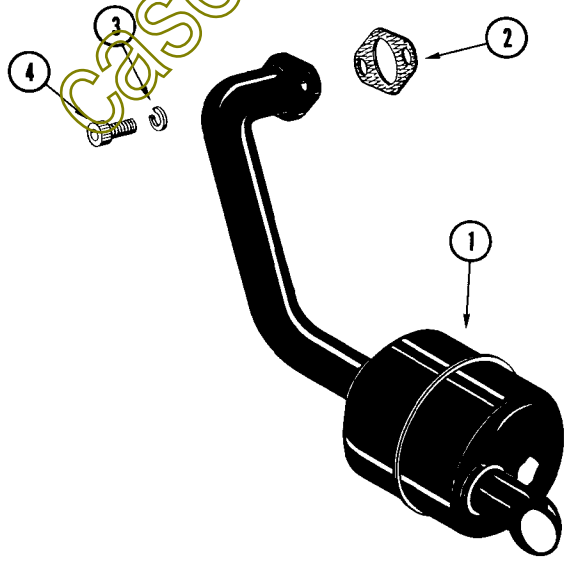
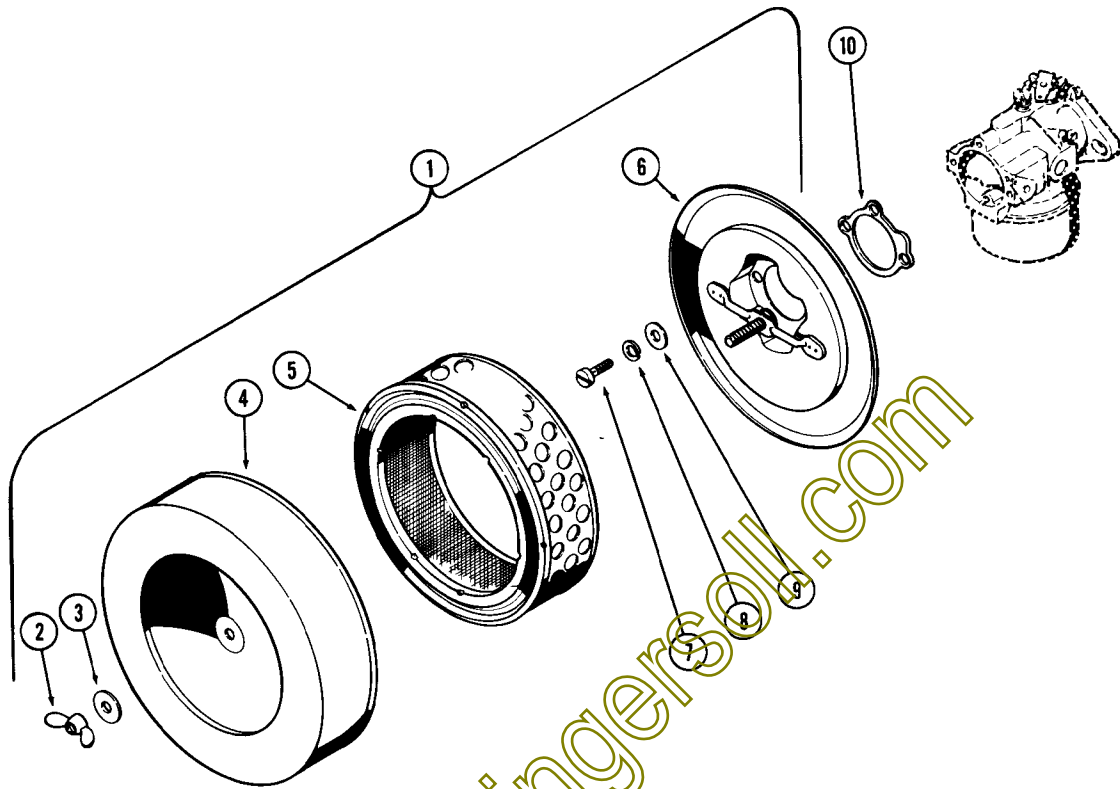
	155	195
	Page	
Air Cleaner	5	5
Battery	51-53	51-53
Belt, Starter-Generator	25 17	25
Breather, Crankcase	7	7
Camshaft	7	7
Carburetor	21	21
Connecting Rod	9	11
Crankshaft	9	11
Cylinder Block	13	15
Cylinder Head	13	15
Electrical System	51-53	51-53
Engine Block & Attaching Parts	13-15	13-15
Exchanger, Heat	35	35
Exhaust System	5	5
Fan	17	17

	155	195
	Page	
Filter, Breather	7	7
Flywheel	13	15
Fuel Strainer	21	21
Fuel System	19	19
Gasket Kits	13	15
Governor	17	17
Muffler	5	5
Oil Pan	13	15
Piston	9	11
PTO, Front	23	23
Pulley, Clutch	23	23
Spark Plug	51	51
Starter-Generator	25	25
Tank, Fuel	19	19
Throttle Linkage	17	17
Valves	7	7

BASIC TRACTOR SECTION

Axle, Front (155)	29
Axle, Front (195)	29B
Rear	33
Baffles & Shrouds	17
Brakes, Disc Type	31-49
Decals	43
Drawbar	47
Fenders	43
Frame	45
Grille	45
Headlights	51
Hitch	47
Hood	45
Hydraulics	35-41
Coupling, Pump Drive	39
Hoses, Lines & Fittings	35

Hydraulics (Continued)	
Motor, Hydraulic Drive	41
Pump	39
Valve, Control	37
Valve, Control Linkage	37
Hydraulic Lift Kit (E-25)	57-59
Implement Lift Lever	47
Instruments	51-53
Seat, Operator's	43
Speed Control	49
Steering Wheel & Gear	27
Tool Box	43
Tow Hitch	47
Transmission	33
Wheels, Front & Rear	31
Wheel Weights	55



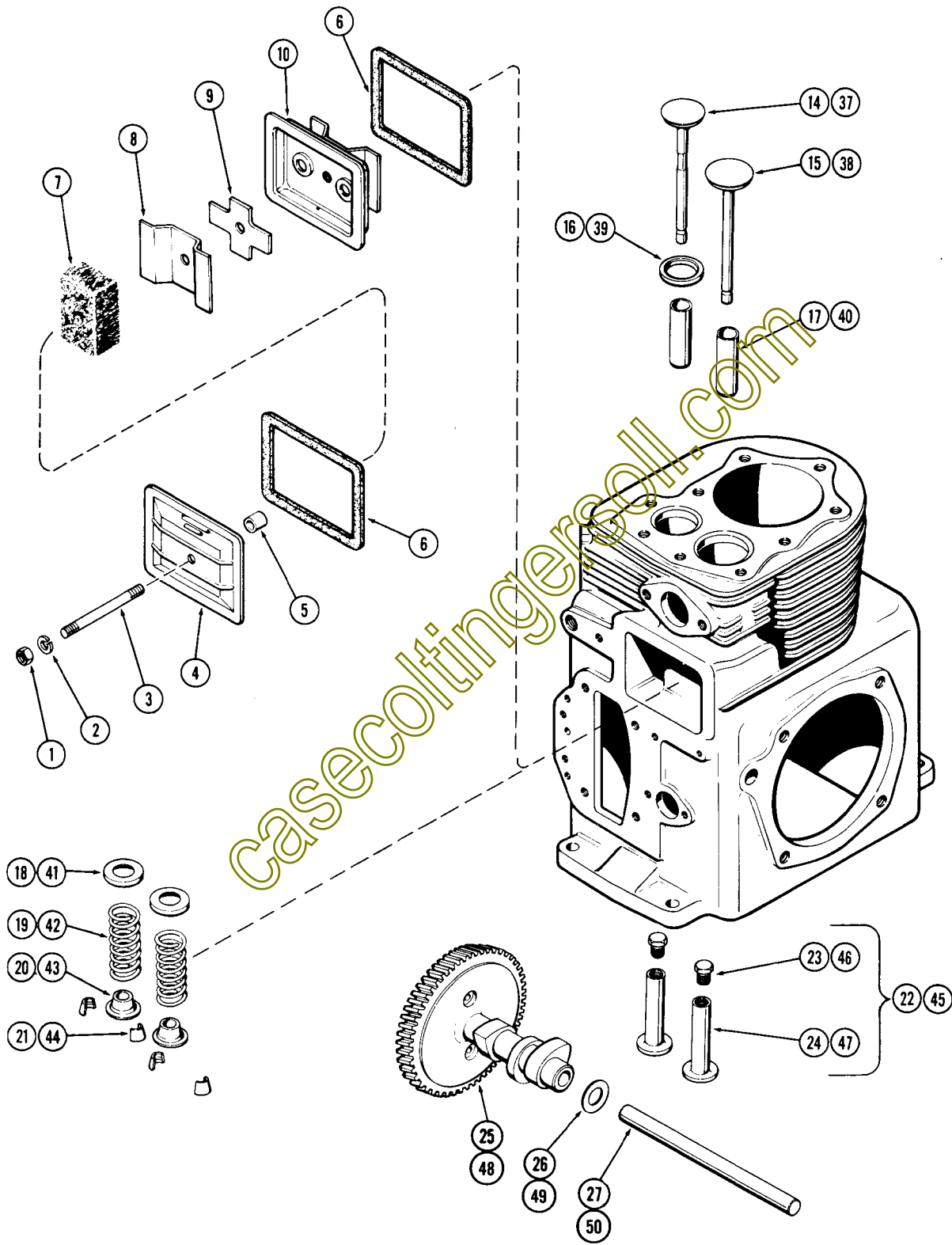
AIR CLEANER

REF. PART NO.	DESCRIPTION	REQ'D
1 KOA235100	AIR CLEANER ASSY	1
2 129- 409	NUT - wing, 3/8" N.C.	1
3 KOA 536	WASHER - copper	1
4 NSS	COVER - air cleaner (Order KOA235100)	1
5 A 70090	ELEMENT - air cleaner	1
6 NSS	BASE - air cleaner (Order KOA235100)	1
7 177- 131	SCREW - fill. hd. 10-32 x 1/2"	3
8 192- 18	LOCKWASHER - 3/16"	3
9 195- 512	WASHER - plain, 3/16"	3
10 KO 275341	GASKET - air horn	1

EXHAUST SYSTEM

1 C 12071	MUFFLER - exhaust	1
2 C 10372	GASKET - exhaust pad	1
3 92- 5	LOCKWASHER - 5/16"	2
4 61- 510	SCREW - 5/16-18 x 5/8" socket hd.	2

casecoltingersoll.com



CRANKCASE BREATHER

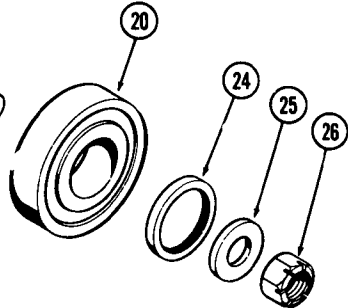
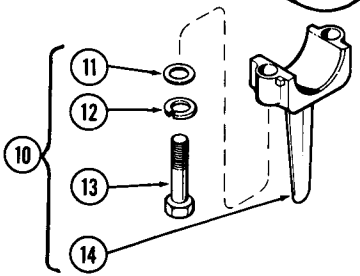
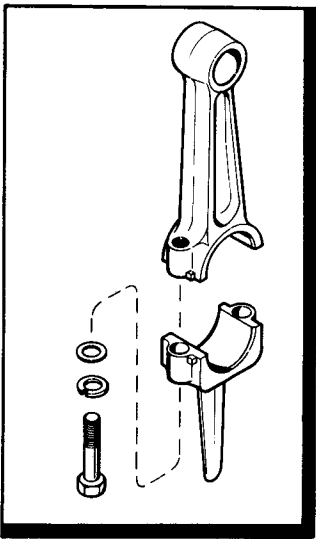
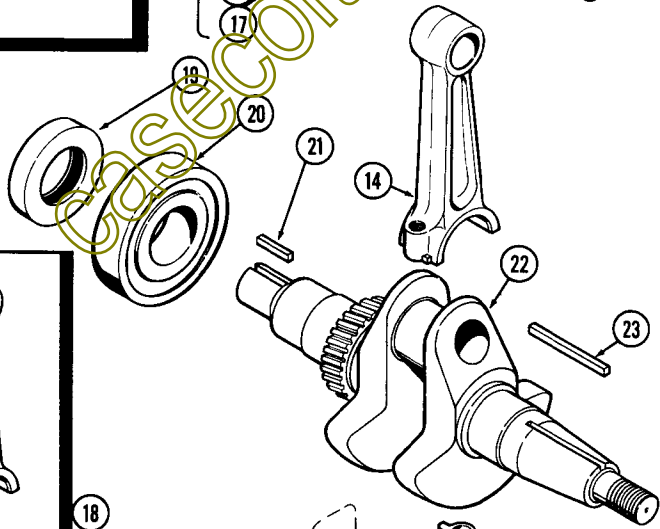
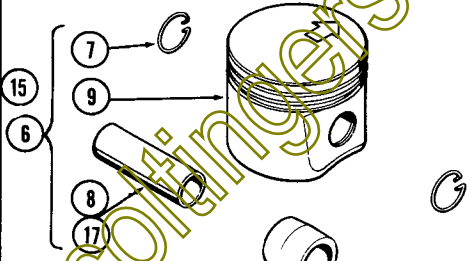
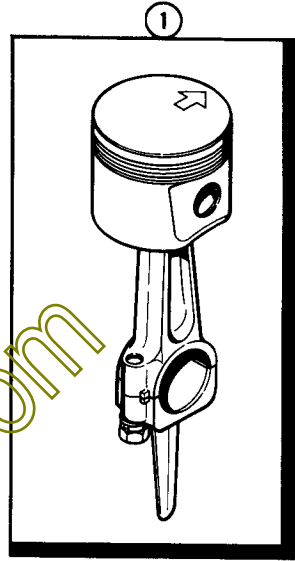
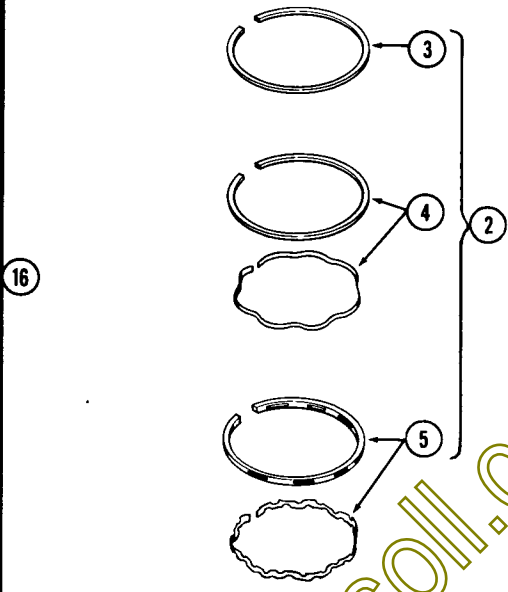
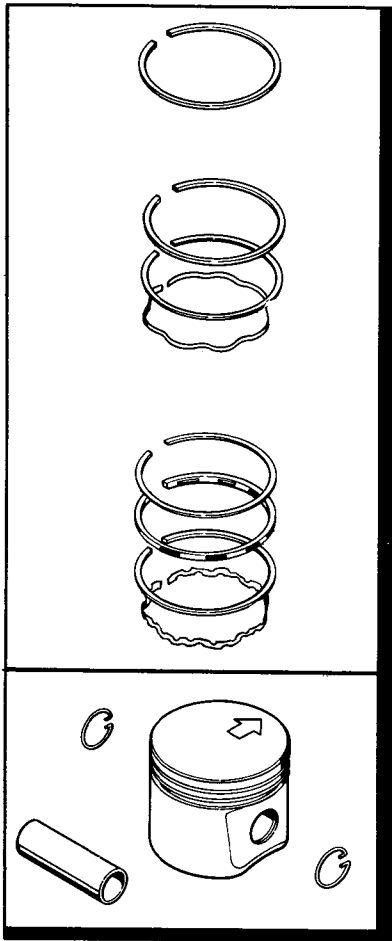
REF. PART NO.	DESCRIPTION	REQ'D
1 25- 104	NUT - 1/4" N. C. hex	1
2 92- 4	LOCKWASHER - 1/4" SAE	1
3 KO 275220	STUD - valve cover	1
4 KO 275143	COVER - valve	1
5 KO 231032	SEAL - breather	1
6 KO 235048	GASKET - valve cover	2
7 KO 235118	FILTER - breather	1
8 KO 235117	BAFFLE - breather	1
9 KO 235047	REED - breather	1
10 KO 235631	PLATE - breather	1

155 CAMSHAFT AND VALVES

14 KO 235826	VALVE - exhaust	1
15 KO 235008	VALVE - intake	1
16 KO 230170-S	INSERT - exhaust valve seat	1
17 KO 235007-S	GUIDE - valve	2
18 KO 235011	SEAT - valve spring	2
19 KO 235010	SPRING - valve	2
20 KO 230011	RETAINER - valve spring	2
21 KO 240013	LOCK - valve retainer	4
22 KOA235327	LIFTER ASSY	2
23 NSS	SCREW - tappet adjusting	1
24 NSS	LIFTER - valve	1
25 KOA235646	CAMSHAFT ASSY	1
26 KO 275066	SPACER - camshaft, .005"	UAR
26 KO 275067	SPACER - camshaft, .010"	UAR
27 KO 235053	PIN - camshaft	1

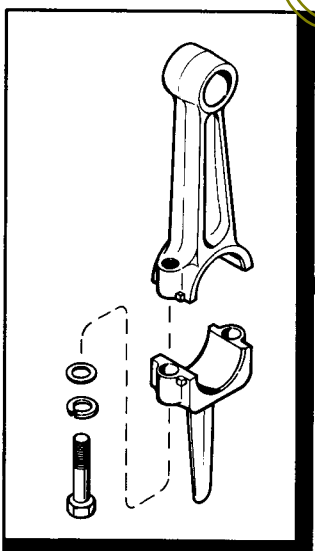
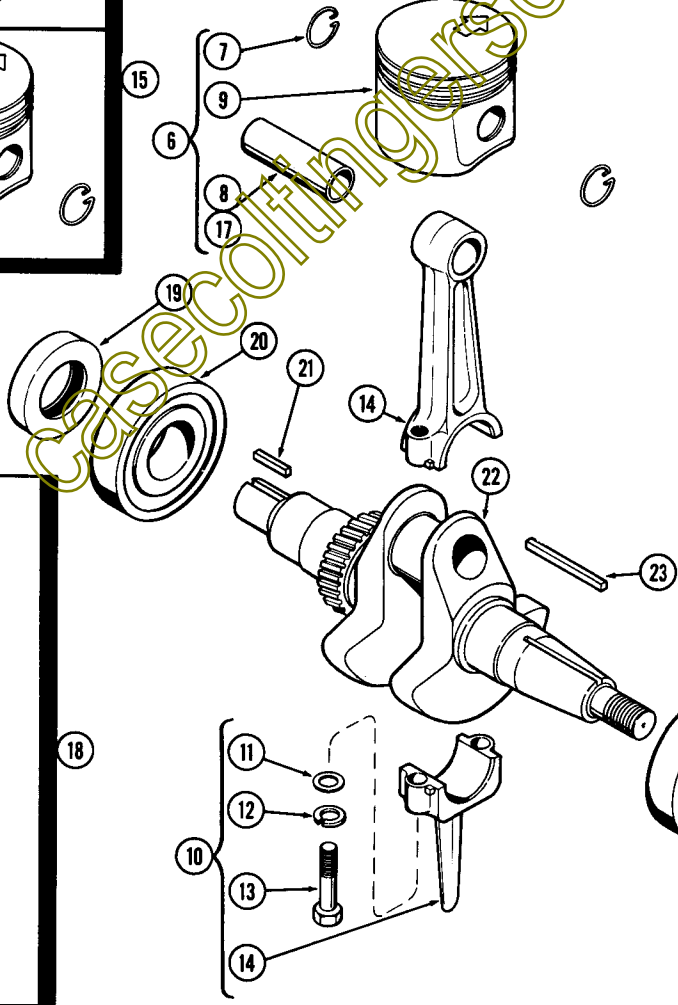
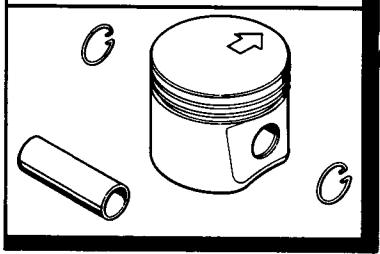
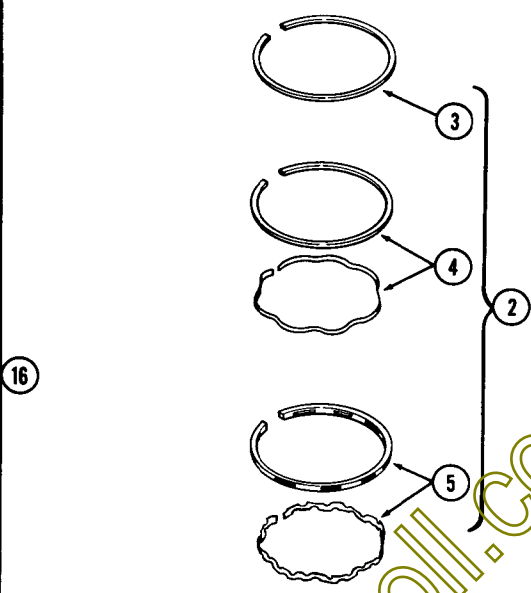
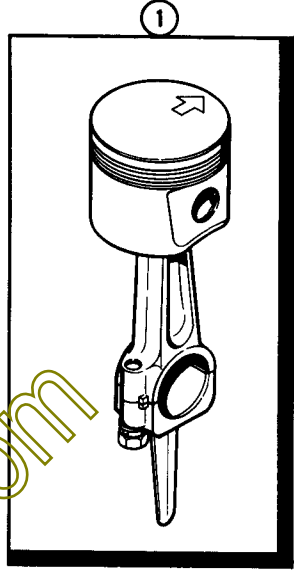
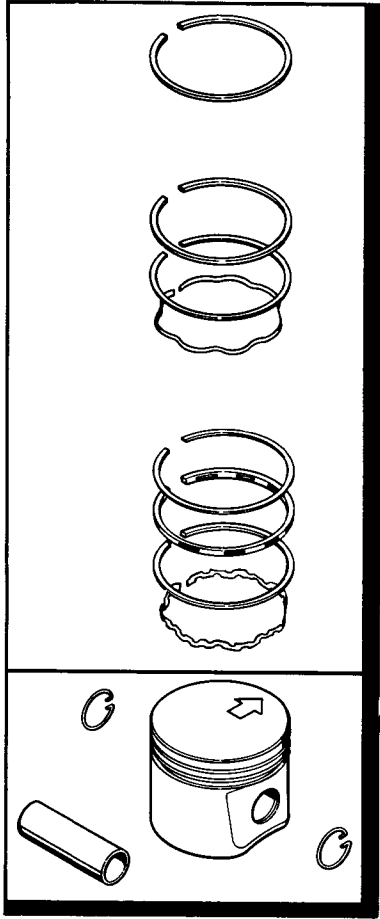
195 CAMSHAFT AND VALVES

37 KO 235826	VALVE - exhaust	1
38 KO 235008	VALVE - intake	1
39 KO 230170-S	INSERT - exhaust valve seat	1
40 KO 235007-S	GUIDE - valve	2
41 KO 235011	SEAT - valve spring	2
42 KO 235010	SPRING - valve	2
43 KO 230011	RETAINER - valve spring	2
44 KO 240013	LOCK - valve retainer	4
45 KOA235327	LIFTER ASSY	2
46 NSS	SCREW - tappet adjusting	1
47 NSS	LIFTER - valve	1
48 KOA235646	CAMSHAFT ASSY	1
49 KO 275066	SPACER - camshaft, .005"	UAR
49 KO 275067	SPACER - camshaft, .010"	UAR
50 KO 235053	PIN - camshaft	1



155 CRANKSHAFT, PISTON — CONNECTING ROD

REF. PART NO.	DESCRIPTION	REQ'D
1 NSS	PISTON AND ROD ASSY. (Std. size)	1
2 KO 235287	RING SET - piston (for oversize see item 16)	1
3 NSS	RING - top compression	1
4 NSS	RING - 2nd compression (incl. expander)	1
5 NSS	RING - oil (incl. expander)	1
6 KOA235611	PISTON ASSY (for oversize see item 15)	1
7 KO 235004	RETAINER - piston pin	2
8 KO 235572	PIN - piston	1
9 NSS	PISTON	1
10 KOA235139	CONNECTING ROD ASSY (for undersize see item 18)	1
11 KO 235003	WASHER - special	2
12 KOX 22-35	LOCKWASHER	2
13 KO 235526	SCREW - cap, connecting rod	2
14 NSS	ROD - connecting	1
15 KOA235569	PISTON ASSY - .010" oversize	1
15 KOA235571	PISTON ASSY - .020" oversize	1
15 KOA235616	PISTON ASSY - .030" oversize	1
16 KO 235288	RING SET - piston .010" oversize	1
16 KO 235289	RING SET - piston .020" oversize	1
16 KO 235290	RING SET - piston .030" oversize	1
17 KO 235573	PIN - piston, .005" oversize	1
18 KOA235139-10	CONNECTING ROD ASSY. - .010" undersize	1
19 KOX 379-6	OIL SEAL - crankshaft rear	1
20 40035	BEARING - crankshaft ball	2
21 W 5063-S	KEY - 1/4" square x 3/4" (pump cplg)	1
22 KOA235711	CRANKSHAFT	1
23 KOX 366-1	KEY - flat 1/4" x 3/16" x 1-3/4" (flywheel)	1
24 KOX 271-30	OIL SEAL - crankshaft front	1
25 KOX 25-71	WASHER - 3/4"	1
26 KOX 119-14	NUT - special Marsden 3/4" NF	1



18

10

20

24

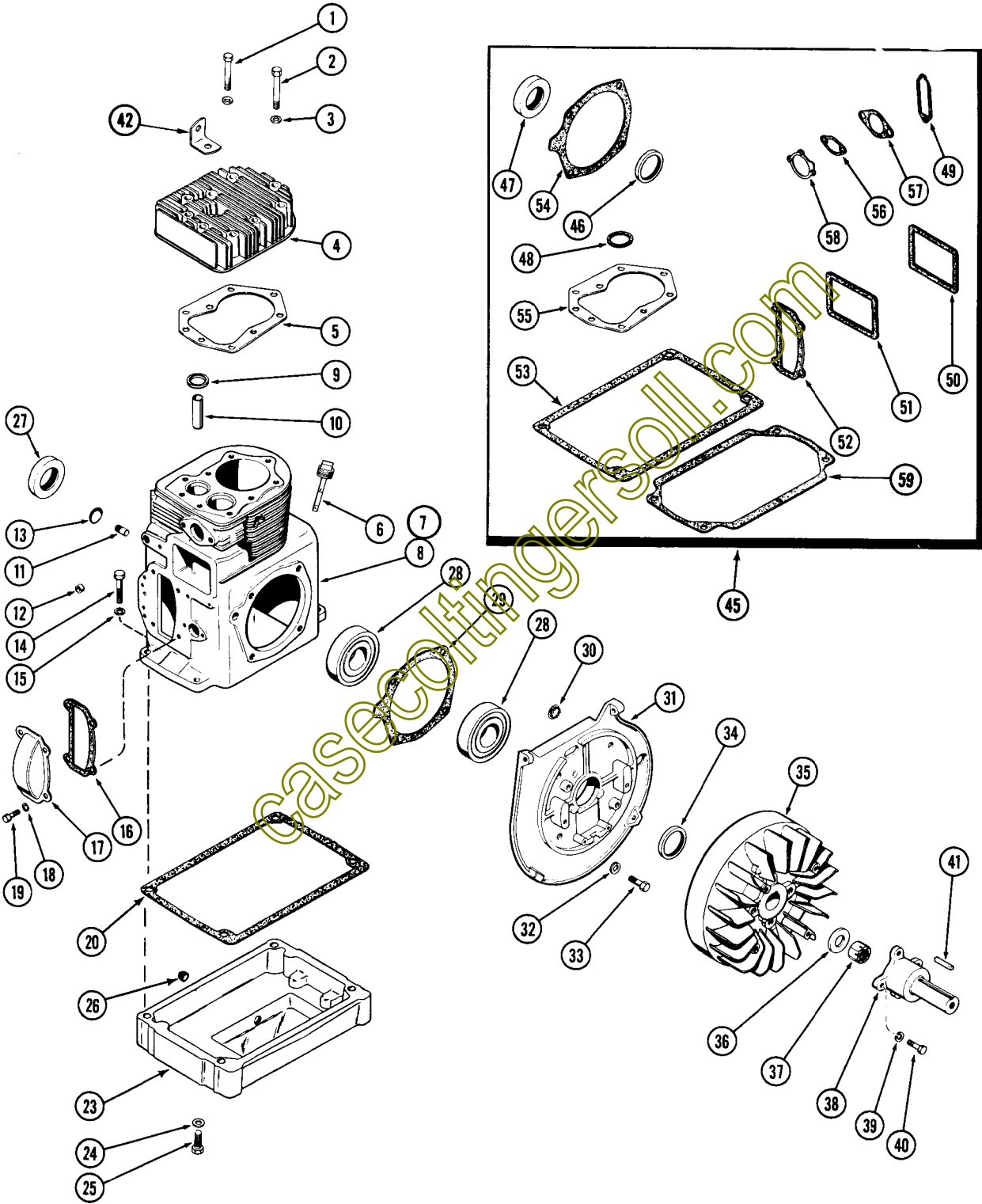
25

26

195 CRANKSHAFT, PISTON — CONNECTING ROD

REF. PART NO.	DESCRIPTION	REQ'D
1	NSS PISTON AND ROD ASSY. (Std. size)	1
2	KO 235889 RING SET - piston (for oversize see item 16)	1
3	NSS RING - top compression	1
4	NSS RING - 2nd compression (incl. expander)	1
5	NSS RING - oil (incl. expander)	1
6	KOA235827 PISTON ASSY (for oversize see item 15)	1
7	KO 235811 RETAINER - piston pin	2
8	KO 235803 PIN - piston	1
9	NSS PISTON	1
10	KOA235828 CONNECTING ROD ASSY (for undersize see item 18)	1
11	KO 235003 WASHER - special	2
12	KOX 22-35 LOCKWASHER	2
13	KO 235526 SCREW - cap, connecting rod	2
14	NSS ROD - connecting	1
15	KOA235865 PISTON ASSY - .010" oversize	1
15	KOA235866 PISTON ASSY - .020" oversize	1
15	KOA235867 PISTON ASSY - .030" oversize	1
16	KO 235890 RING SET - piston .010" oversize	1
16	KO 235891 RING SET - piston .020" oversize	1
16	KO 235892 RING SET - piston .030" oversize	1
17	KO 235868 PIN - piston .005" oversize	1
18	KOA235828-10 CONNECTING ROD ASSY - .010" undersize	1
19	KOX 379-6 OIL SEAL - crankshaft rear	1
20	40035 BEARING - crankshaft ball	2
21	W 5063-S KEY - 1/4" square x 3/4" (pump cplg.)	1
22	KOA235949 CRANKSHAFT	1
23	KOX 366-1 KEY - flat 1/4" x 3/16" x 1-3/4" (flywheel)	1
24	KOX271-30 OIL SEAL - crankshaft front	1
25	KOX 25-71 WASHER - 3/4"	1
26	KOX119-16 NUT - special Marsden 3/4" NF	1

case.com

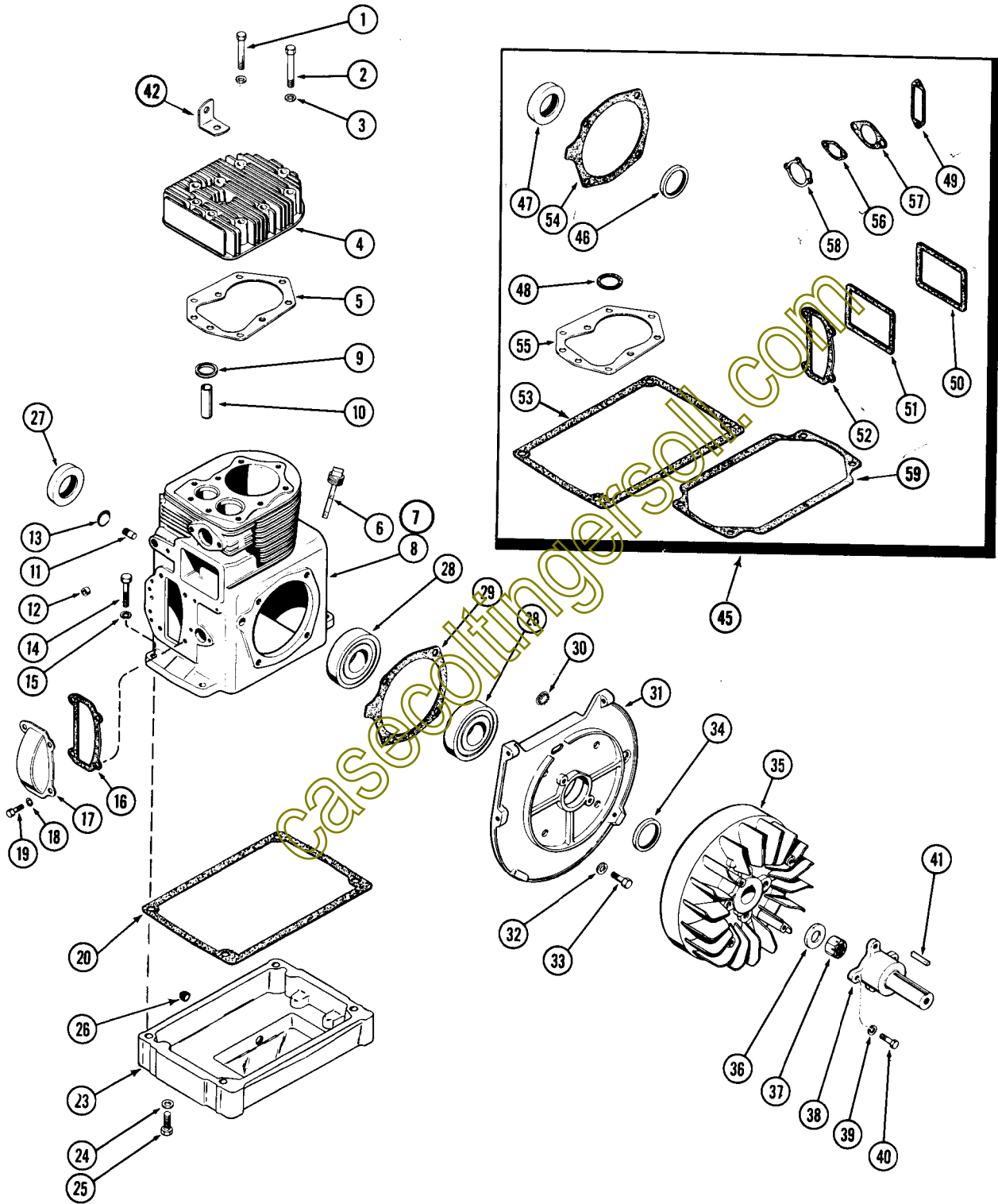


155 ENGINE BLOCK AND ATTACHING PARTS

REF.	PART NO.	DESCRIPTION	REQ'D
1	KO 271077	BOLT - cyl. hd. (length 2-1/4")	6
2	KO 235175	BOLT - cyl. hd. (length 2-1/2")	3
3	KO 270889	WASHER - cyl. hd. bolt	9
4	KO 235656	HEAD - cylinder	1
5	KO 235810	GASKET - head	1
6	KOA235747	DIPSTICK ASSY	1
7	KOA236303	BLOCK ASSY - cyl., short (incl. crankshaft, rod assy governor, camshaft, valves, bearings and plate)	1
8	KOA235737	BLOCK ASSY - cyl., stripped (Std. bore)	1
9	KO 230170-S	INSERT - exhaust valve	1
10	KO 235007-S	GUIDE - valve	2
11	KO 235125-S	SHAFT - stub, governor	1
12	KOX293-4	BEARING - needle, governor shaft	1
13	41- 18	PLUG - expansion	1
14	113- 206	BOLT - 3/8" x 7/8" N.C. hex plated	4
15	192- 21	LOCKWASHER - 3/8" SAE plated	4
16	KO 235025	GASKET - camshaft cover	1
17	KO 235026	COVER - camshaft gear	1
18	192- 19	LOCKWASHER - 1/4" plated	4
19	113- 6	BOLT - 1/4" x 1/2" UNC, plated	4
20	KO 235353	GASKET - oil pan	1
23	KO 235950	BASE - oil pan	1
24	192- 21	LOCKWASHER - 3/8" plated	4
25	115- 204	BOLT - 3/8" x 1" N.C. hex plated	4
26	221- 2	PLUG - pipe, 1/4" sq. hd.	1
27	KOX 379-6	OIL SEAL - crankshaft rear	1
28	40035	BEARING - crankshaft ball	2
29	KO 235757	GASKET - shim, bearing plate, .010"	6
29	KO 235070	GASKET - shim, .010"	UAR
30	205- 27	PLUG - button, timing hole	1
31	KO 235062	PLATE - bearing (can use KO235815)	1
32	192- 21	LOCKWASHER - 3/8" plated	4
33	113- 207	BOLT - 3/8" x 1" N.C. plated	4
34	KOX 271-30	OIL SEAL - crankshaft front	1
35	KO 235818	FLYWHEEL	1
36	195- 545	WASHER - special, plated	1
37	KOX 119-16	NUT - special Marsden	1
38	KO 235954	SHAFT - frt. drive stub	1
39	192- 21	LOCKWASHER - 3/8" SAE plated	4
40	113- 208	BOLT - 3/8" x 1-1/4" N.C. hex	4
41	W 5063-S	KEY - 1/4" sq. x 3/4"	1
42	KO 235748	STRAP - lifting	1

ENGINE GASKET AND SEAL KIT

45	KO 235165	KIT - engine gasket and seal	1
46	KOX271-30	SEAL - crankshaft front oil	1
47	KOX 379-6	SEAL - crankshaft rear oil	1
48	B 59393	GASKET - fuel strainer bowl	1
49	KO 220174	GASKET - breaker cover	1
50	KO 231032	SEAL - breather	1
51	KO 235048	GASKET - valve cover	2
52	KO 235025	GASKET - camshaft gear cover	1
53	KO 235353	GASKET - oil pan	1
54	KO 235757	GASKET - shim, bearing plate .010"	6
54	KO 235070	GASKET - shim, .010"	UAR
55	KO 235810	GASKET - cyl. head	1
56	A 72108	GASKET - fuel pump flange	1
57	A 72100	GASKET - carburetor flange	1
58	KO 275341	GASKET - carburetor air horn	1
59	KO 235057	GASKET - oil pan (not used on this model)	1

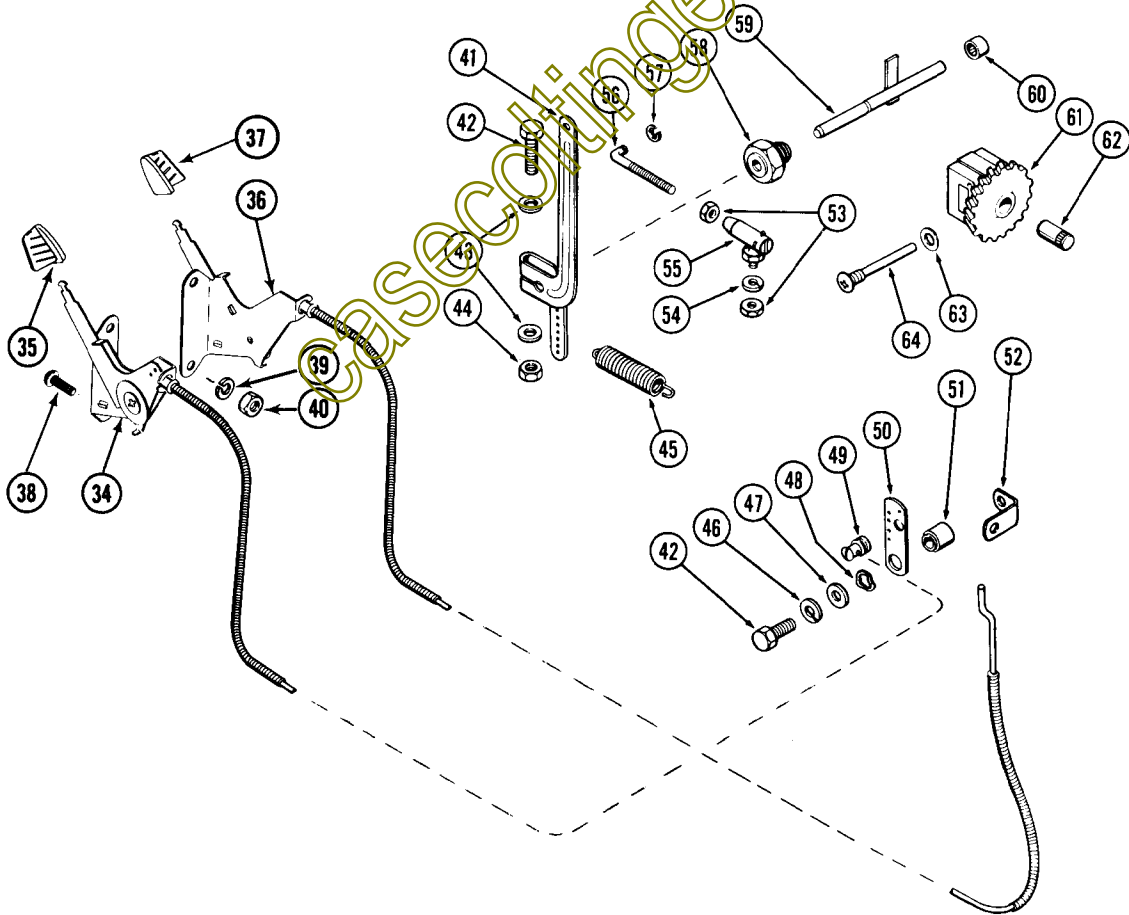
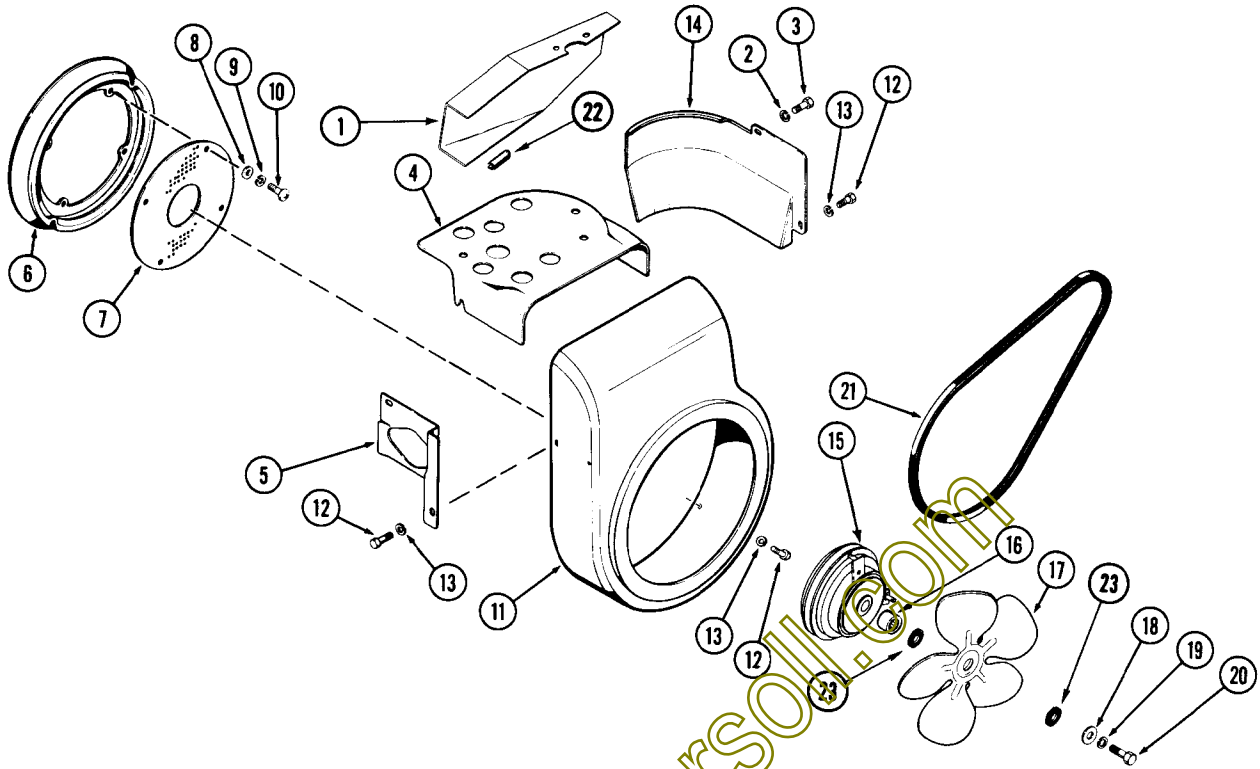


195 ENGINE BLOCK AND ATTACHING PARTS

REF.	PART NO.	DESCRIPTION	REQ'D
1	KO 271077	BOLT - cyl. hd. (length 2-1/4")	6
2	KO 235175	BOLT - cyl. hd. (length 2-1/2")	3
3	KO 270889	WASHER - cyl. hd. bolt	9
4	KO 235820	HEAD - cyl.	1
5	KO 235810	GASKET - head	1
6	KOA235747	DIPSTICK ASSY	1
7	KOA236293	BLOCK ASSY - cyl., short (incl. crankshaft, rod assy governor, camshaft, valves, bearings and plate)	1
8	KOA235952	BLOCK ASSY - cyl., standard bore	1
9	KO 230170-S	INSERT - exhaust valve	1
10	KO 235007-S	GUIDE - valve	2
11	KO 235125-S	SHAFT - stub, governor	1
12	KOX 293-4	BEARING - needle, governor shaft	1
13	41- 18	PLUG - expansion	1
14	113- 206	BOLT - 3/8" x 1-1/4" N.C. hex plated	4
15	192- 21	LOCKWASHER - 3/8" plated	4
16	KO 235025	GASKET - camshaft cover	1
17	KO 235026	COVER - camshaft gear	1
18	192- 19	LOCKWASHER - 1/4" plated	4
19	113- 6	BOLT - 1/4" x 1/2" UNC plated	4
20	KO 235353	GASKET - oil pan	1
23	KO 235950	BASE - oil pan	1
24	192- 21	LOCKWASHER - 3/8" plated	4
25	115- 204	BOLT - 3/8" x 1" N.C. hex plated	4
26	221- 2	PLUG - pipe, 1/4" sq. hd.	1
27	KOX379-6	OIL SEAL - crankshaft rear	1
28	40035	BEARING - crankshaft ball	2
29	KO 235757	GASKET - shim, bearing plate .010"	6
29	KO 235070	GASKET - shim, .010"	UAR
30	205- 27	PLUG - button, timing hole	1
31	KO 235815	PLATE - bearing	1
32	192- 21	LOCKWASHER - 3/8" plated	4
33	113- 207	BOLT - 3/8" x 1" N.C. plated	4
34	KOX271-30	OIL SEAL - crankshaft front	1
35	KO 235818	FLYWHEEL	1
36	195- 545	WASHER - special, plated	1
37	KOX119-16	NUT - special Marsden	1
38	KO 235954	SHAFT - frt. drive stub	1
39	192- 21	LOCKWASHER - 3/8" SAE plated	4
40	113- 206	BOLT - 3/8" x 1-1/4" N. C. hex plated	4
41	W 5063-S	KEY - 1/4" sq. x 3/4"	1
42	KO 235748	STRAP - lifting	1

ENGINE GASKET AND SEAL KIT

45	KO 235165	KIT - engine gasket and seal	1
46	KOX271-30	SEAL - crankshaft front oil	1
47	KOX 379-6	SEAL - crankshaft rear oil	1
48	B 59393	GASKET - fuel strainer bowl	1
49	KO 220174	GASKET - breaker cover	1
50	KO 231032	SEAL - breather	1
51	KO 235048	GASKET - valve cover	2
52	KO 235025	GASKET - camshaft gear cover	1
53	KO 235353	GASKET - oil pan	1
54	KO 235757	GASKET - shim, bearing plate, .010"	6
54	KO 235070	GASKET - shim, .010"	UAR
55	KO 235810	GASKET - cyl. head	1
56	A 72108	GASKET - fuel pump flange	1
57	A 72100	GASKET - carburetor flange	1
58	KO 275341	GASKET - carburetor air horn	1
59	KO 235057	GASKET - oil pan (not used on this model)	1



BAFFLES, SHROUDS AND CLUTCH PULLEY

REF.	PART NO.	DESCRIPTION	REQ'D
1	C 10492	DEFLECTOR - engine air	1
2	192- 19	LOCKWASHER - 1/4", plated	2
3	113- 6	BOLT - 1/4" x 1/2" N.C. hex plated	2
4	KO 235955	BAFFLE - cyl. head	1
5	KO 235368	BAFFLE - carburetor side air	1
6	KO 235207	PULLEY - starter	1
7	KO 235052	SCREEN - blower air intake	1
8	195- 515	WASHER - 1/4" plated	4
9	192- 19	LOCKWASHER - 1/4" plated	4
10	175- 436	SCREW - 1/4" x 5/8" N.C. truss hd. Phillips, plated	4
11	KO 235951	HOUSING - blower	1
12	113- 2	BOLT - 1/4" x 3/4" N.C., hex hd. plated	4
13	192- 19	LOCKWASHER - 1/4" plated	4
14	KO 235054	BAFFLE - cylinder	1
15	C 10311	CLUTCH - pulley	1
16	C 10312	SPACER - short	1
17	A 70084	FAN - engine	1
18	195- 104	WASHER - 3/8" plain	1
19	192- 21	LOCKWASHER - 3/8" SAE	1
20	115- 208	BOLT - 3/8" x 3-1/2" N.C., hex (for pulley clutch)	1
21	A 70205	BELT - drive, starter, generator	1
22	C 12603	CHANNEL - deflector	1
23	C 13756	WASHER - fan, rubber	2

CHOKE, THROTTLE AND GOVERNOR

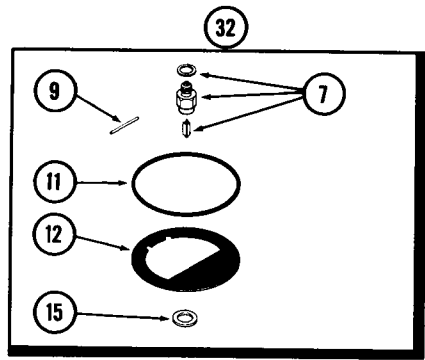
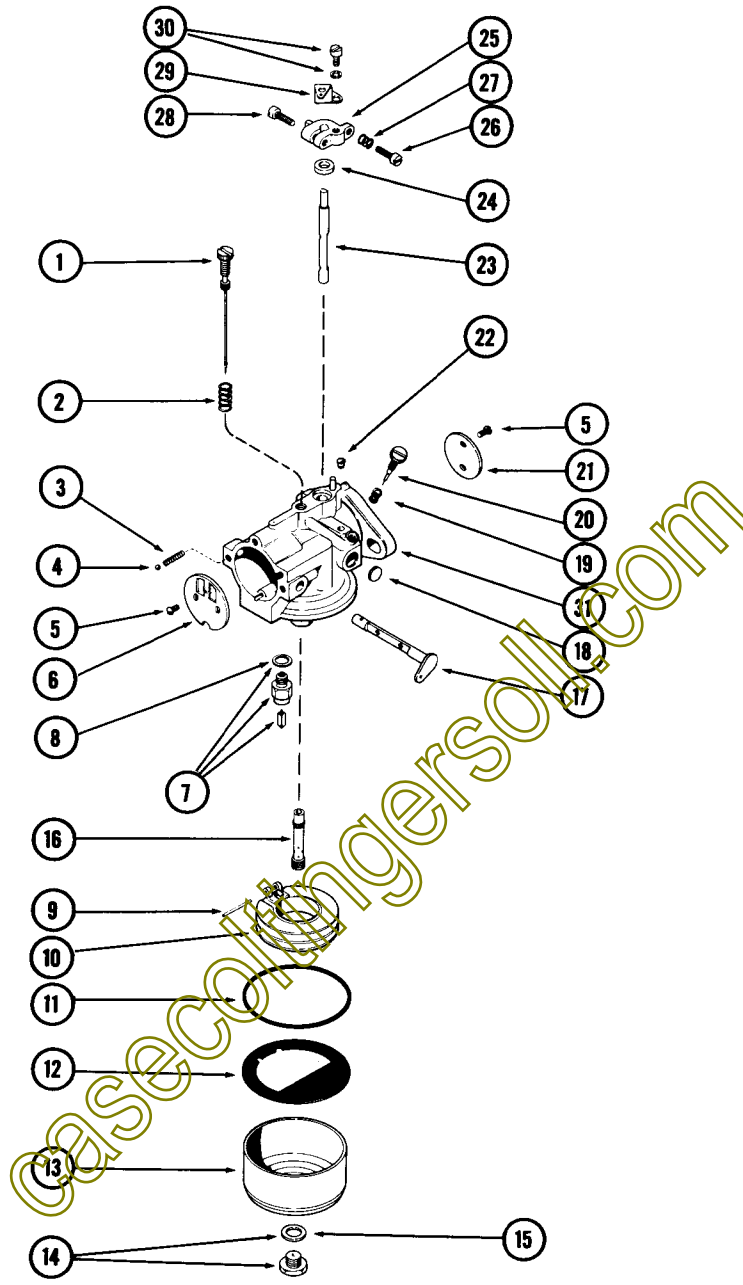
34	C 13848	CONTROL - throttle	1
35	C 12224	HANDLE - throttle control	1
36	C 12187	CONTROL - choke	1
37	C 12223	HANDLE - choke control	1
38	111- 1	BOLT - 10-24 x 1/2" rd. hd., square neck	2
39	192- 18	LOCKWASHER - #10 std. plated	2
40	129- 7	NUT - #10-24 plated	2
41	KO 235494	LEVER - governor	1
42	15- 420	BOLT - 1/4" x 1-1/4" N.C. hex	2
43	195- 515	WASHER - 1/4" plated	2
44	25- 104	NUT - 1/4" hex	1
45	KO 235496	SPRING - governor	1
46	192- 19	LOCKWASHER - 1/4" plated	1
47	KOX 25-67	WASHER - thrust	1
48	KO 275690	WASHER - wavy	1
49	KO 231052	CLAMP - swivel, wire	1
50	KO 235086	LEVER - speed control	1
51	KO 235085	SPACER - speed control bracket	1
52	KO 235084	BRACKET - high speed stop	1
53	129- 37	NUT - #10-32, hex	2
54	192- 18	LOCKWASHER - 3/16" plated	1
55	A 10326	JOINT - ball	1
56	KO 235277	ROD - throttle	1
57	KO 235278	RING - retaining, throttle rod	1
58	KO 235476	BUSHING - governor cross shaft	1
59	KOA235256	SHAFT ASSY - governor cross	1
60	KOX 293-4	BEARING - needle governor shaft	1
61	KOA235743	GEAR ASSY - governor	1
62	KO 235125-S	SHAFT - governor stub	1
63	KOX 25-55	WASHER - governor stop pin	1
64	KO 231355	PIN - governor stop	1

FUEL SYSTEM

REF.	PART NO.	DESCRIPTION	REQ'D
1	C 10479	TANK - fuel	1
2	C 11529	CAP - fuel tank	1
3	A 70100	STRAP - fuel tank mounting	2
4	173- 215	SCREW - 1/4" x 1-1/4" rd. hd.	2
5	129- 294	NUT - square, 1/4" N.C.	2
6	C 10657	ELBOW - fuel line	1
7	C 12211	HOSE - fuel line	1
8	C 10678	FITTING - elbow, fuel line, nylon	1
9	214- 253	CLAMP - 1/2" hose	2
10	A 72100	GASKET - carburetor flange	1
11	A 72073	CARBURETOR ASSEMBLY (Repairs Page 21)	1
12	192- 20	LOCKWASHER - 5/16" SAE std.	2
13	113- 103	BOLT - 5/16" x 1" N.C. hex head	2
14	KO275341	GASKET - air horn	1
15	C 11545	INSERT - fuel cap	1
16	C 12203	BRACKET - fuel tank mounting	1
17	A 72108	GASKET - fuel pump mounting	1
18	71- 410	SCREW - 1/4" x 5/8" N.C. fillister head	2
19	193- 60	LOCKWASHER - 1/4" SAE std.	2
20	222- 41	ELBOW - includes sleeve and nut	1
21	222- 101	SLEEVE - for 3/16" O.D. tube	2
22	222- 112	NUT - for 3/16" O.D. tube	2
23	KO235097	LINE - fuel pump to carburetor	1
24	222- 4021	CONNECTOR ASSEMBLY - includes sleeve and nut	1
25	KOA235845	FUEL PUMP - (for 10 HP model) (155)	1
26	KOA236205	FUEL PUMP - (for 12 HP model) (195)	1

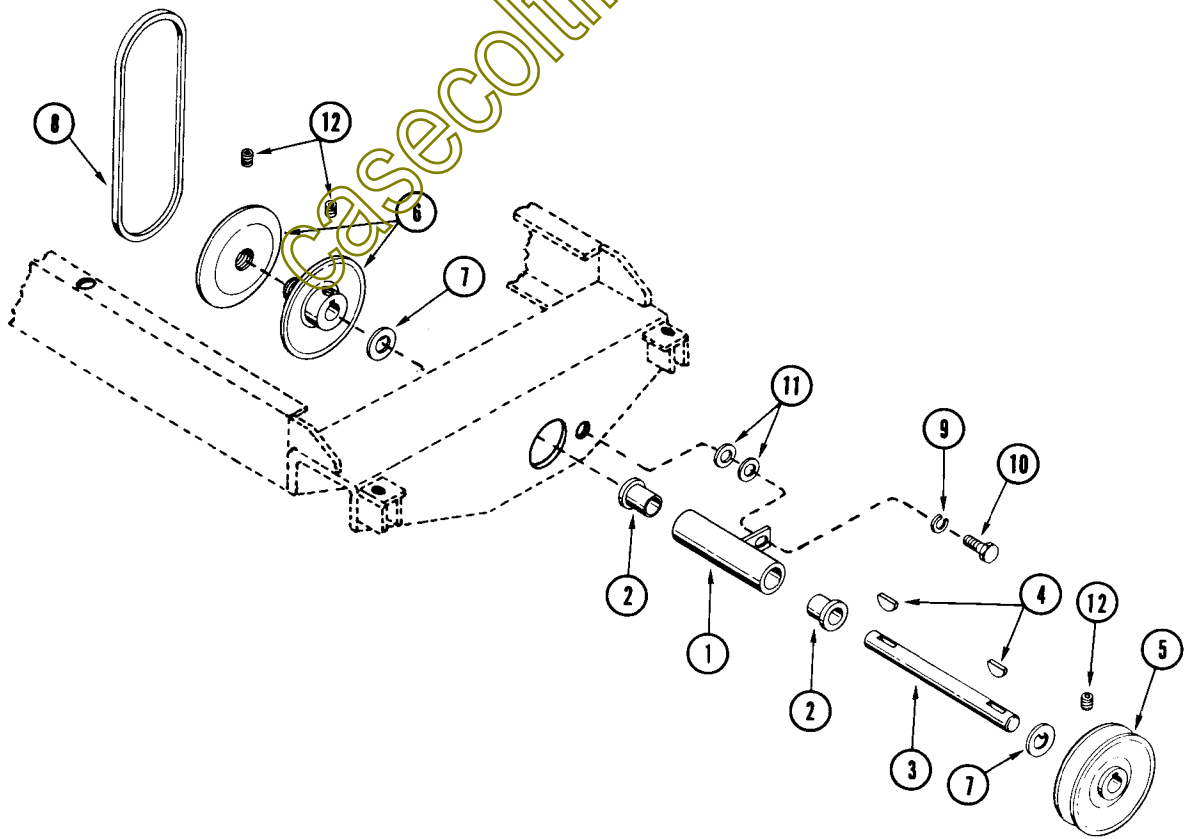
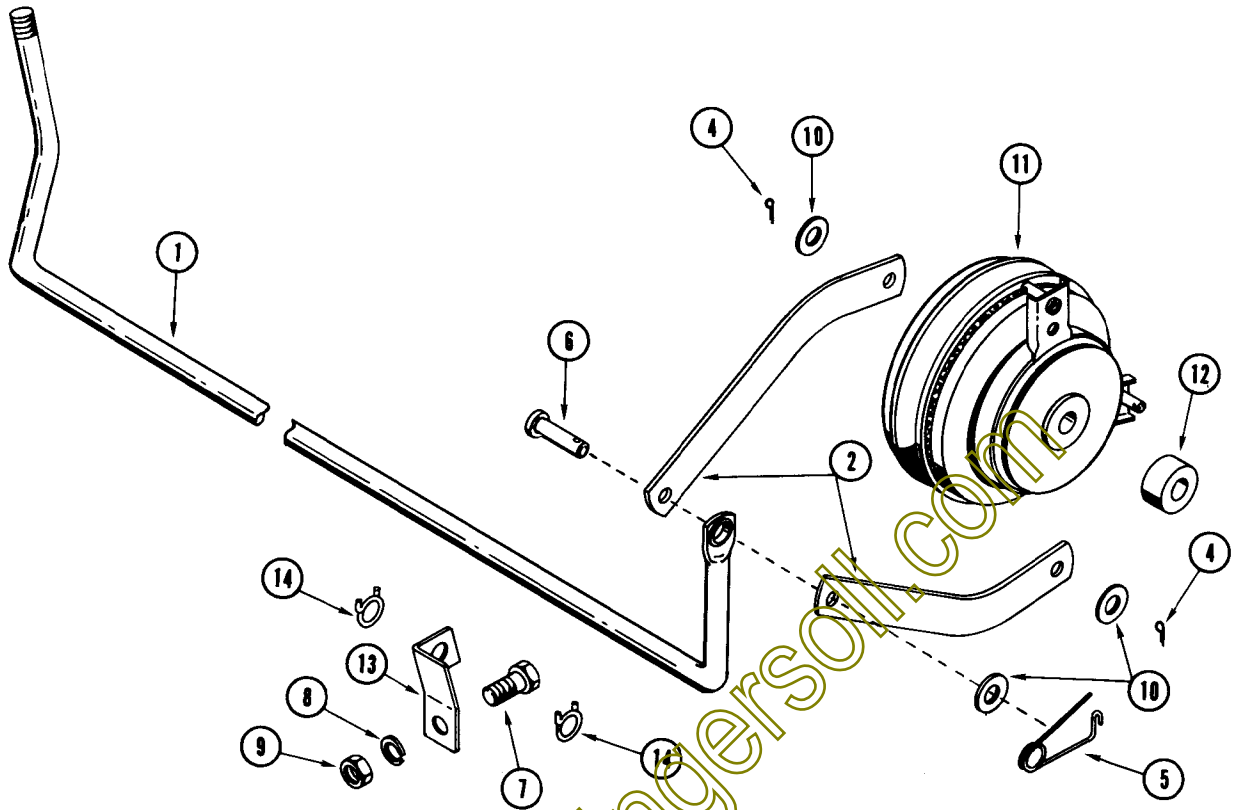
FUEL PUMP

30	KO 230675	FUEL PUMP KIT - for KOA235845 pump	1
	NSS	SPRING - fuel pump valve	2
	NSS	VALVE - fuel pump	2
	NSS	GASKET - valve	1
	NSS	DIAPHRAGM ASSEMBLY	1
	NSS	SPRING - diaphragm	1
31	A 72108	GASKET - fuel pump mounting	1
32	KO 236387	FUEL PUMP KIT - for KOA236205 pump	1
	NSS	GASKET - valve housing	1
	NSS	VALVE ASSEMBLY	2
	NSS	GASKET - valve	2
	NSS	DISPHRAGM ASSEMBLY	1
	NSS	SPRING - diaphragm	1
31	A 72108	GASKET - fuel pump mounting	1



A72073 CARBURETOR

REF. PART NO.	DESCRIPTION	REQ'D
A 72073	CARBURETOR ASSY	1
1 A 72077	JET ASSY - high speed & idle adj.	1
2 A 72076	SPRING - idle jet.	1
3 A 72085	SPRING - choke detent ball	1
4 211- 3	BALL - 1/8" steel	1
5 A 72091	SCREW - #3-48 rd. hd. mach., brass.	4
6 A 72074	VALVE ASSY - choke disc	1
7 A 72086	INLET NEEDLE & SEAT ASSY.	1
8 A 72102	GASKET - needle seat	1
9 A 72079	PIN - carburetor float	1
10 A 72078	FLOAT ASSY	1
11 A 72081	GASKET - carburetor bowl ring	1
12 A 72082	GASKET - carburetor bowl	1
13 A 72080	BOWL - carburetor	1
14 A 72084	NUT & GASKET ASSY - bowl	1
15 A 72083	GASKET - bowl screw	1
16 A 72101	SEAT - high idle jet.	1
17 A 72075	SHAFT & LEVER ASSY - choke	1
18 A 72087	PLUG - 3/8" expansion	1
19 A 72098	SPRING - lean-rich adjusting screw	1
20 A 72099	SCREW - adjusting (lean-rich)	1
21 A 72090	VALVE - throttle disc	1
22 A 72088	PLUG - carb. body passage	1
23 A 72089	SHAFT - throttle lever	1
24 A 72097	SEAL - throttle shaft	1
25 A 72094	DOG ASSY - throttle shaft	1
26 A 72092	SCREW - idle stop.	1
27 A 72093	SPRING - idle screw tension	1
28 169- 77	SCREW - throttle dog clamp #8 x 1/2" N.C. fill. hd.	1
29 A 72096	LEVER - throttle.	1
30 A 72095	SCREW ASSY - throttle lever	1
31 NSS	BODY - carb. (Order A72073 Carb. Assy)	1
32 A 72103	KIT - carburetor repair	1



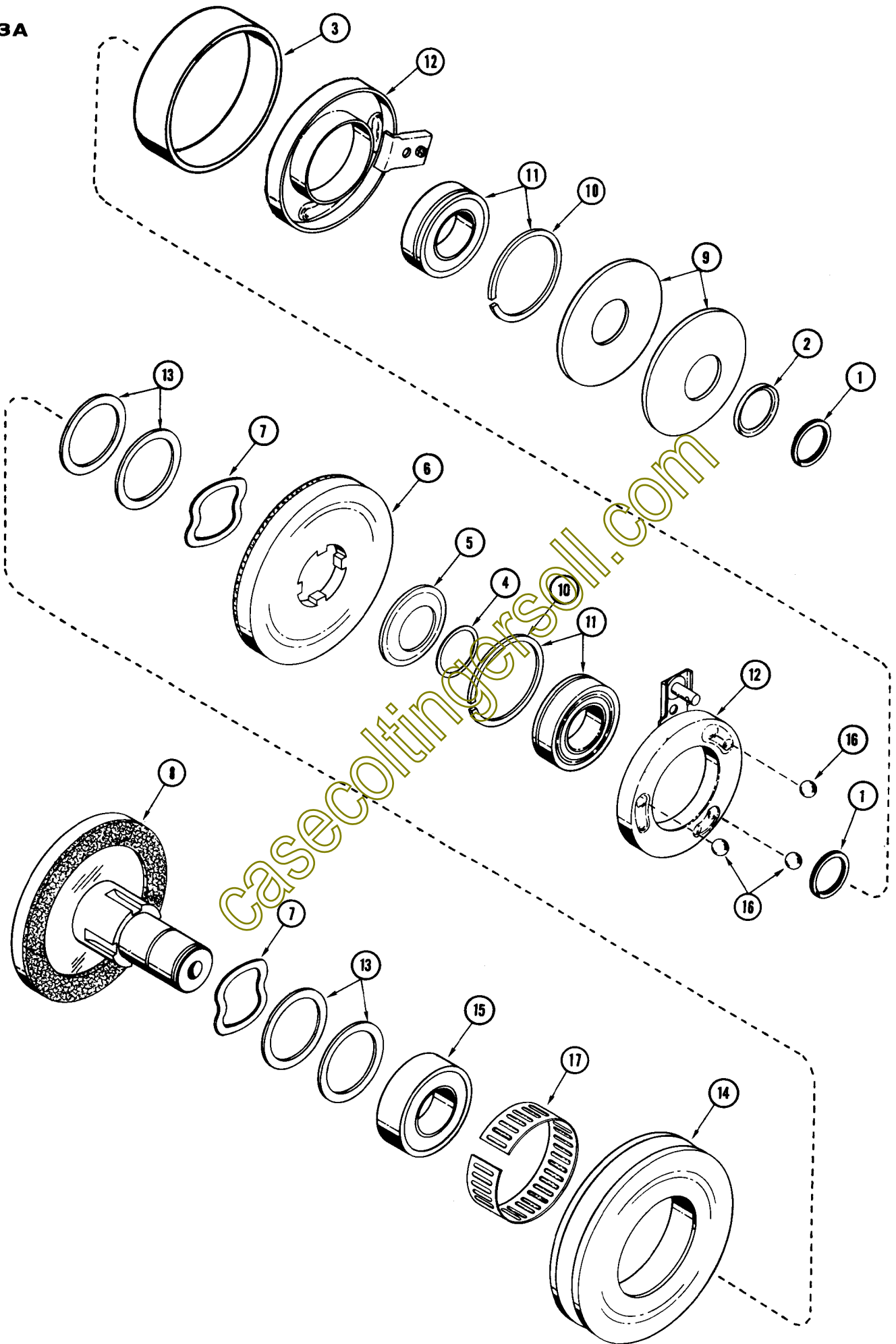
PULLEY CLUTCH

REF. PART NO.	DESCRIPTION	REQ'D.
1 C 14094	LEVER - clutch control with bushing	1
NSS	BUSHING - fliplock (Order part number C14094)	1
2 C 12094	LINK - clutch control	2
3 C 10487	KNOB - lever	1
4 132- 24	PIN - cotter 3/32" x 1/2"	2
5 C 10883	PIN - safety	1
6 C 12740	PIN - clevis 1/4" x 3/4"	1
7 115- 103	BOLT - 5/16"-18 N.C. x 3/4" plated	1
8 192- 20	LOCKWASHER - 5/16" SAE plated	1
9 129- 102	NUT - 5/16" N.C., plated	1
10 195- 517	WASHER - 1/4" plain plated	3
11 C 10311	CLUTCH - PTO "V" belt (Repairs see page 60)	1
12 C 10312	SPACER - fan, short	1
13 C 12608	BRACKET - PTO control	1
14 C 12813	CLAMP - 3/8" I.D.	2

E-6 FRONT P. T. O. (OPTIONAL)

1 C 13244	CARRIER - pivot (Includes 2 C10502 bearings)	1
2 C 10502	BEARING - sintered bronze	2
3 C 10503	SHAFT - PTO pulley	1
4 126- 22	KEY - Woodruff #13	2
5 C 10504	PULLEY - drive	1
6 C 10505	PULLEY - driven adjustable	1
7 C 10506	WASHER - thrust	2
8 C 10507	BELT - 3/8" section 30"	1
9 192- 21	LOCKWASHER - 3/8"	1
10 115- 203	BOLT - 3/8" x 7/8" N.C., hex	1
11 195- 522	WASHER - 3/8" plain	1
12 83- 56	SETScrew - 5/16" x 3/8" socket head	3

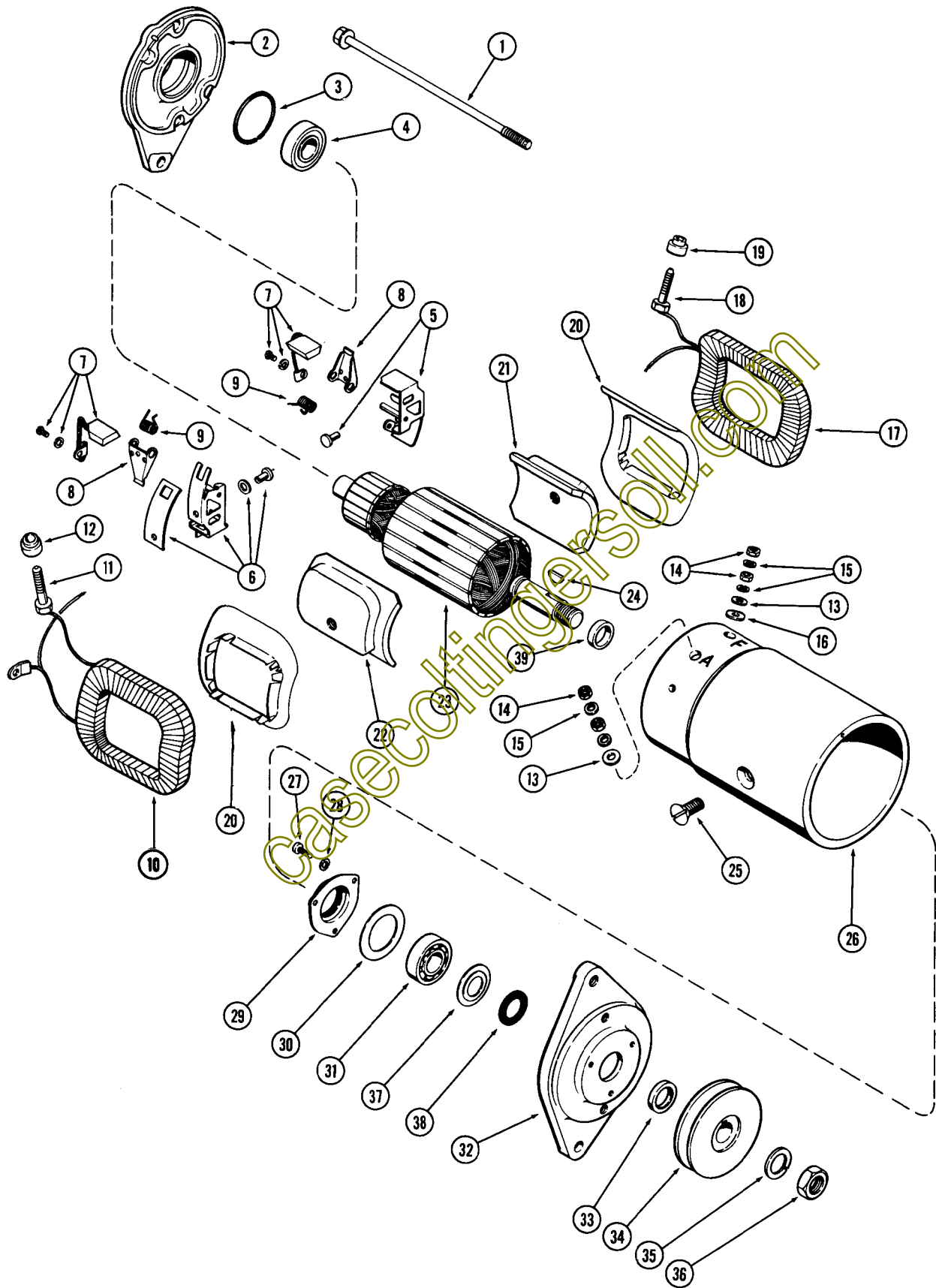
23A



C10311 PULLEY CLUTCH

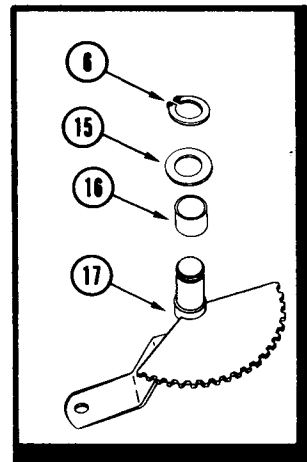
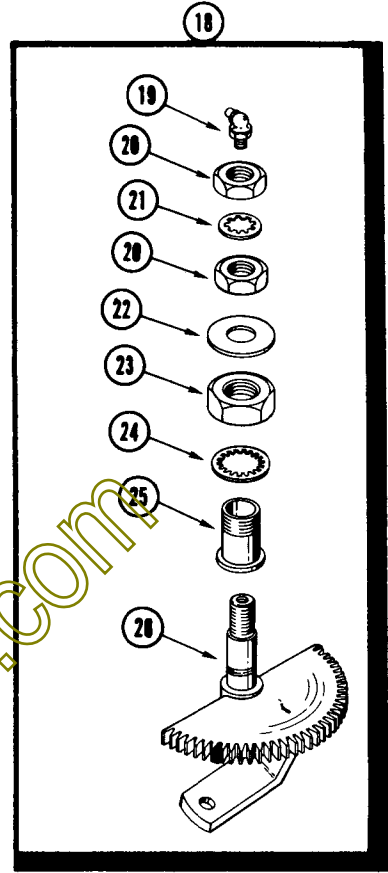
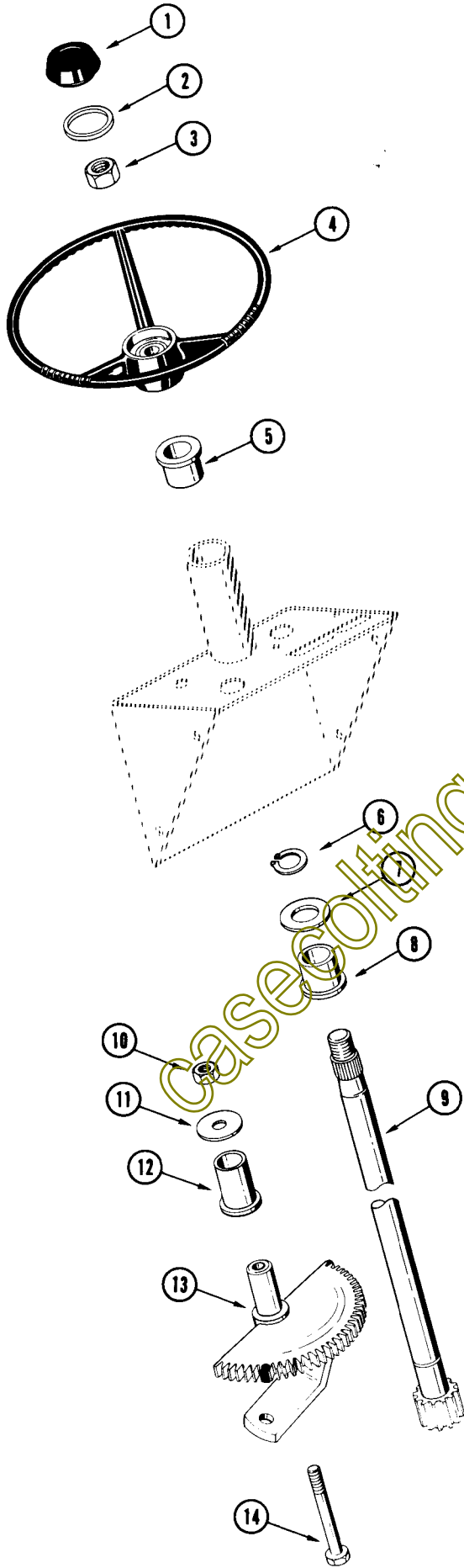
REF.	PART NO.	DESCRIPTION	REQ'D.
	C 13694	KIT - repair (includes Ref. No. 1 through 8)	1
1	C 13086	RING - retainer	2
2	C 13089	RETAINER	1
3	T 36619	COVER - cam	1
4	T 33615	SPACER - shim	UAR
5	C 13081	SPACER - drive plate	1
6	NSS	PLATE - friction (order Part No. C 13694)	1
7	C 13077	WASHER - spring	2
8	NSS	HUB - assembly (order Part No. C 13694)	1
9	C 13087	SPRING - load	2
10	NSS	RING - stop (furnished with Part No. C 13085)	2
11	C 13085	BEARING - cam w/ stop ring	2
12	C 13083	CAM - assembly	2
13	C 13076	SPACER - pulley bearing	4
14	C 14095	PULLEY - (Requires C14039 ring)	1
15	C 13079	BEARING - pulley	1
16	211- 9	BALL - cam	3
17	C 14039	RING - pulley tolerance	1

casecoltingersoll.com



A70202 STARTER-GENERATOR

REF.	PART NO.	DESCRIPTION	REQ'D
1	R 15106	BOLT - thru (includes washer)	2
2	A 72104	FRAME ASSY - commutator end	1
3	R 15087	RING - bearing retainer	1
4	A 25461	BEARING - commutator end ball	1
5	A 72039	HOLDER KIT - ground brush	1
6	A 72040	HOLDER KIT - insulated brush	1
7	A 72038	BRUSH ASSY	2
8	R 15090	ARM - brush pressure	2
9	A 25423	SPRING - brush arm	2
10	A 72042	COIL ASSY - field R.H.	1
11	A 72048	STUD - armature terminal	1
12	R 16147	BUSHING - insulated, armature stud	1
13	R 15079	WASHER - armature stud	2
14	192- 8	NUT - terminal stud 12-24 hex	4
15	192- 17	LOCKWASHER - terminal stud #12	4
16	R 16148	WASHER - insulated, field stud	1
17	A 72043	COIL ASSY - field, L.H.	1
18	A 72049	STUD - field terminal	1
19	R 15077	BUSHING - insulated, field stud	1
20	A 25447	INSULATOR - field coil	2
21	A 72044	SHOE - pole, plain	1
22	A 40736	SHOE - pole, notched	1
23	A 72041	ARMATURE	1
24	126- 111	KEY - Woodruff, armature	1
25	D 32477	SCREW - pole	2
26	NSS	BODY - starter generator (Order A70202)	1
27	173- 237	SCREW - 10-32 x 1/2" rd. Hd.	3
28	192- 18	LOCKWASHER - 3/16" plated	3
29	A 72050	RETAINER ASSY - bearing (includes ref. 37 & 38)	1
30	R 16170	GASKET - bearing retainer	1
31	A 25441	BEARING - ball, drive end	1
32	A 72046	FRAME ASSY - drive end	1
33	A 72047	SPACER - pulley	1
34	KO 235751	PULLEY - starter - generator drive	1
35	192- 26	LOCKWASHER - 11/16" plated	1
36	R 15105	NUT - armature shaft, drive end	1
37	NSS	RETAINER - grease (Order A72050)	1
38	NSS	SEAL - felt (Order A72050)	1
39	NSS	SPACER - armature shaft, inner	1



STEERING GEAR

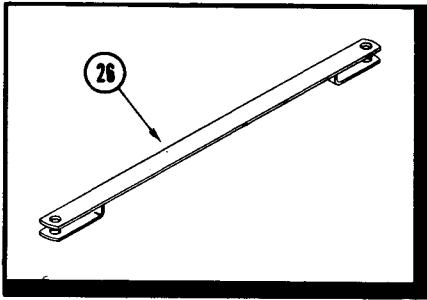
REF. PART NO.	DESCRIPTION	REQ'D
1 C 10569 ✓	CAP - steering wheel	1
2 A 70392	RING - cap retainer	1
3 25- 1510	NUT - jam 5/8" N.F. hex	1
4 A 70058	WHEEL - steering	1
5 C 12126	BUSHING - nylon	1
6 T 25683	RING - retaining	1
7 C 12125	WASHER - thrust	1
8 C 12205	BUSHING - flanged	1
9 C 12116	SHAFT - steering (155)	1
9 C 11685	SHAFT - steering (195)	1
10* 131- 351	NUT - lock 5/16" N.C. hex	1
11* G 49048	WASHER - plain	1
12* C 13596	BUSHING - flanged	1
13* C 13614	GEAR - steering	1
14* 15- 540	BOLT - 5/16" x 2-1/2" N.C. hex	1
15** 195- 2082 /	WASHER	1
16** C 12206	BUSHING	1
17** NSS	GEAR - steering (Order C13801 Kit)	1
18** C 13801	KIT - steering gear (Includes Ref. No's. 19 through 26)	
19 219- 57	FITTING - lube	1
20 129- 167	NUT - jam 5/8" N.C. hex Z.P.	2
21 193- 34	LOCKWASHER - 5/8" internal tooth	1
22 F 62147	WASHER - plain	1
23 129- 582	NUT - jam 7/8" N.C. hex Z.P.	1
24 193- 36	LOCKWASHER - 7/8" internal tooth	1
25 C 13795	BUSHING - flanged	1
26 C 13800	GEAR - steering	1

* Used on Model 155 Tractors with Serial Number 9618951 and above.

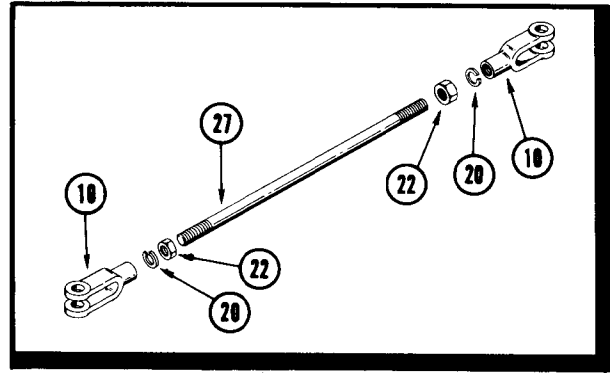
* Used on Model 195 Tractors with Serial Number 9622282 and above.

** Applicable to Model 155 Tractors with Serial Number 9618950 and below.

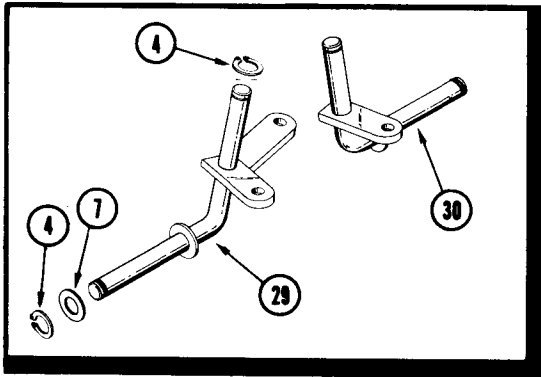
** Applicable to Model 195 Tractors with Serial Number 9622281 and below.



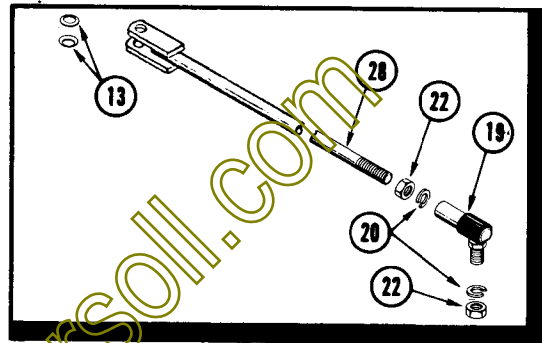
USED PRIOR TO S/N 9616833



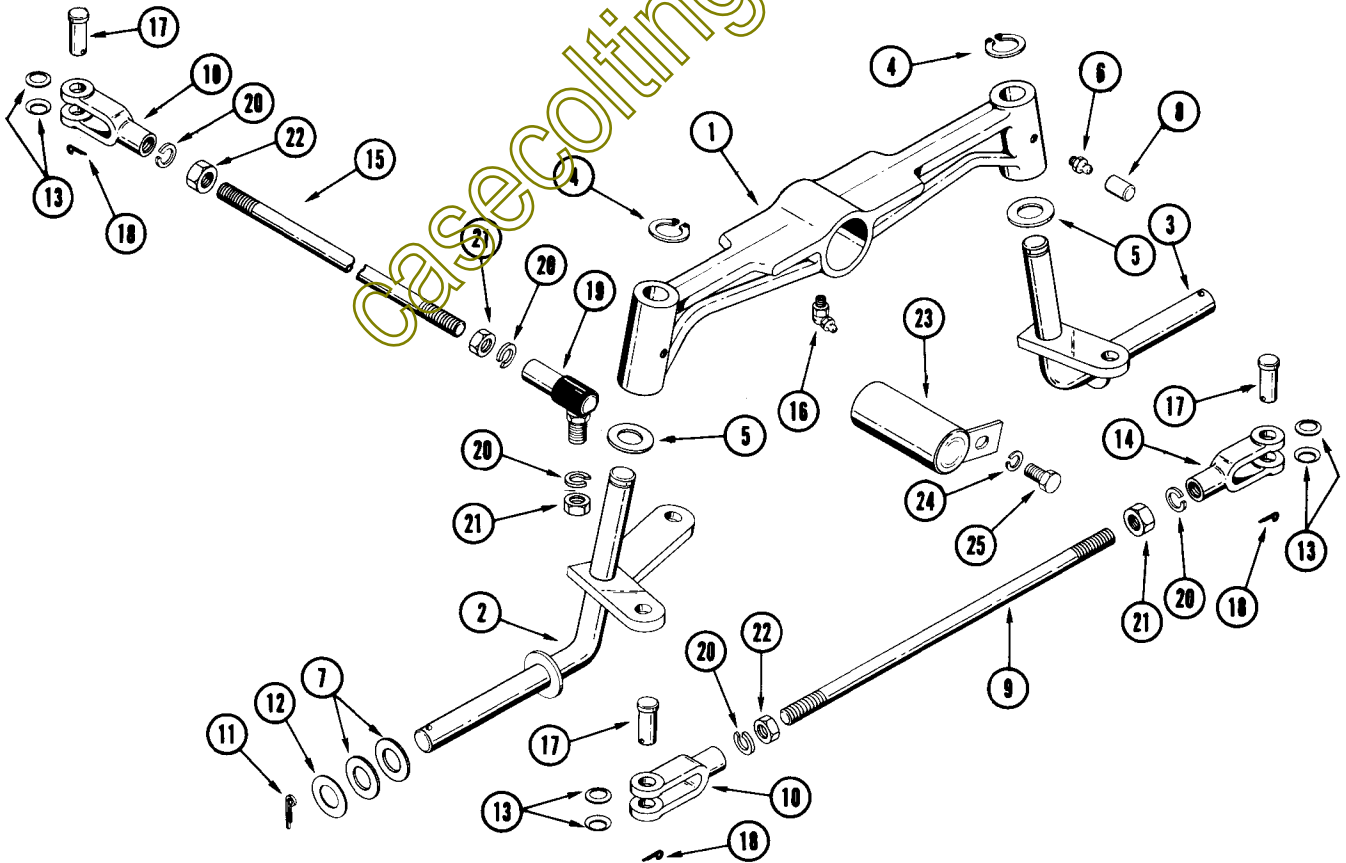
USED FROM S/N 9616833 TO 9622667



USED PRIOR TO S/N 9618948

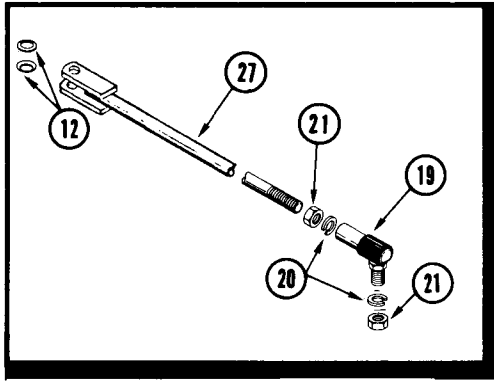


USED PRIOR TO S/N 9622668

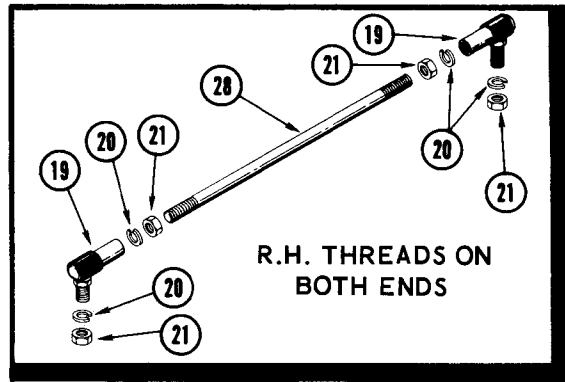


155 FRONT AXLE

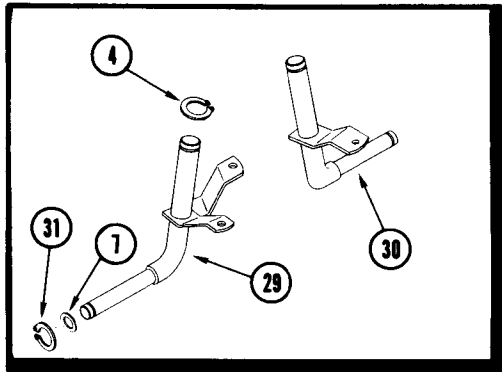
REF.	PART NO.	DESCRIPTION	REQ'D
1	C 11999	AXLE - front	1
2	C 13583	SPINDLE - R.H. (Used S/N 9618948 and after)	1
3	C 13584	SPINDLE - L.H. (Used S/N 9618948 and after)	1
4	T 25683	RING - external retaining, 3/4"	2
5	C 11906	WASHER - thrust	2
6	219- 8	FITTING - lube	2
7	A 30881	WASHER - wheel spacer	UAR
8	C 13106	COVER - lube fitting	3
9	C 13677	TIE ROD - (Used in production S/N 9622668 and after)	1
10	C 10952	YOKE - tie rod N.C. thread	2
11	132- 311	PIN - cotter 5/32" x 1-1/4" (For C13583 & C13584 spindles)	2
12	C 12975	WASHER - wheel spindle (For C13583 & C13584 spindles)	2
13	C 12115	WASHER - wavy	6
14	C 13603	YOKE - tie rod N.F. thread (Used with C13677 tie rod)	1
15	C 12526	ROD - drag link (Used in production S/N 9622668 and after)	1
16	219- 38	FITTING - lube 45°	1
17	141- 56	PIN - clevis	3
18	132- 47	PIN - cotter 1/8" x 7/8"	3
19	C 12102	JOINT - ball	1
20	92- 8	LOCKWASHER - 1/2"	5
21	25- 118	NUT - 1/2" N.F. hex (For C13677 tie rod & C12526 drag link)	3
22	25- 108	NUT - 1/2" N.C. hex	2
23	C 12003	PIN - axle pivot	1
24	192- 21	LOCKWASHER - 3/8"	1
25	113- 205	BOLT - 3/8" x 5/8" N.C. hex	1
26	C 10235	TIE BAR - not available (Order items 9, 10, 13, 14, 17, 18, 20, 21, & 22)	1
27	C 13091	TIE ROD - not available (Order items 9, 14, 17, 18, 20, & 21)	1
28	C 12527	ROD - drag link (Order items 10, 13, 15, 17, 18, 20, & 22)	1
29	C 13092	SPINDLE, R.H., not available (Order items 2, 11, & 12)	1
30	C 11841	SPINDLE, L.H., not available (Order items 3, 11, & 12)	1



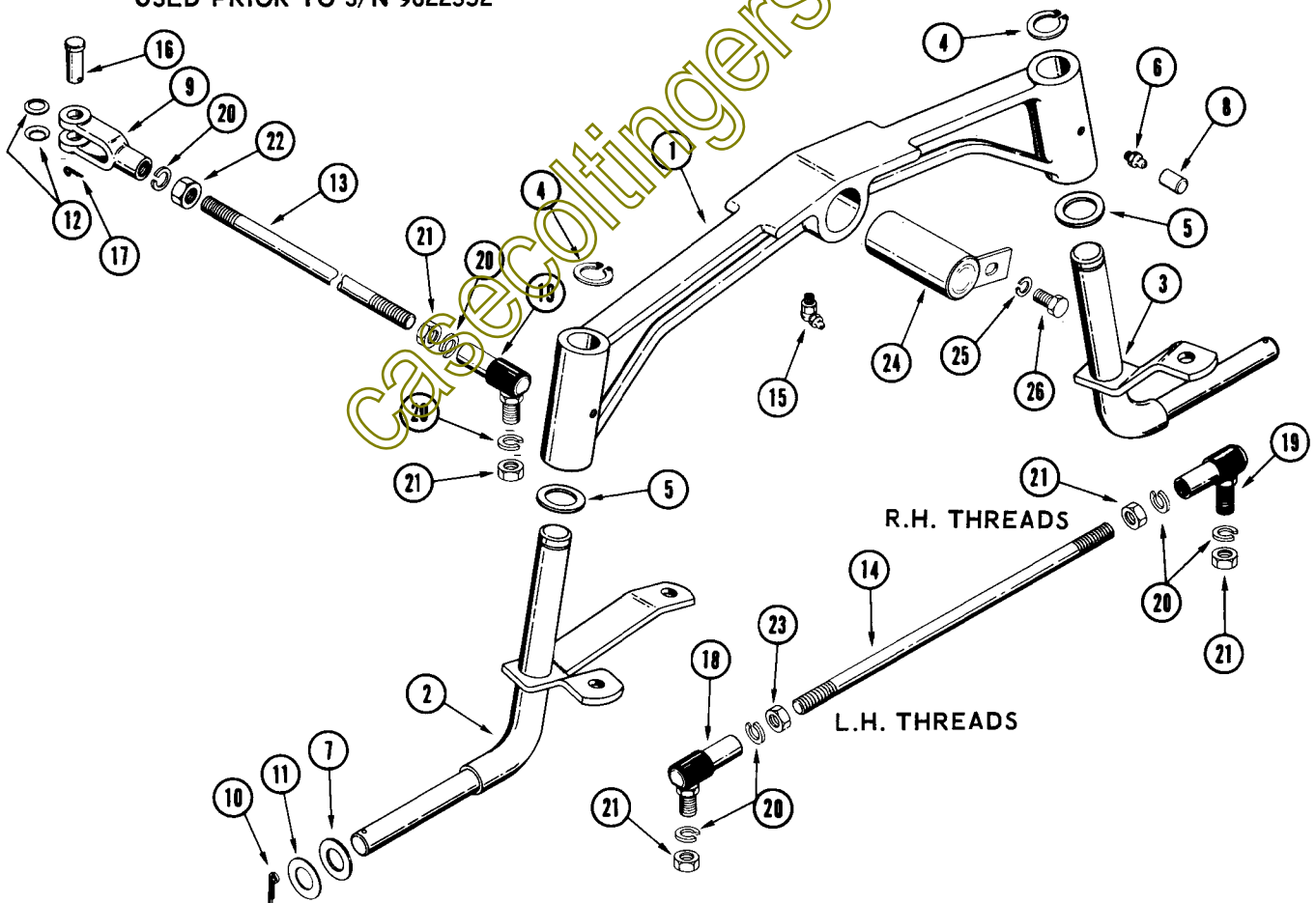
USED PRIOR TO S/N 9627170



USED PRIOR TO S/N 9627190

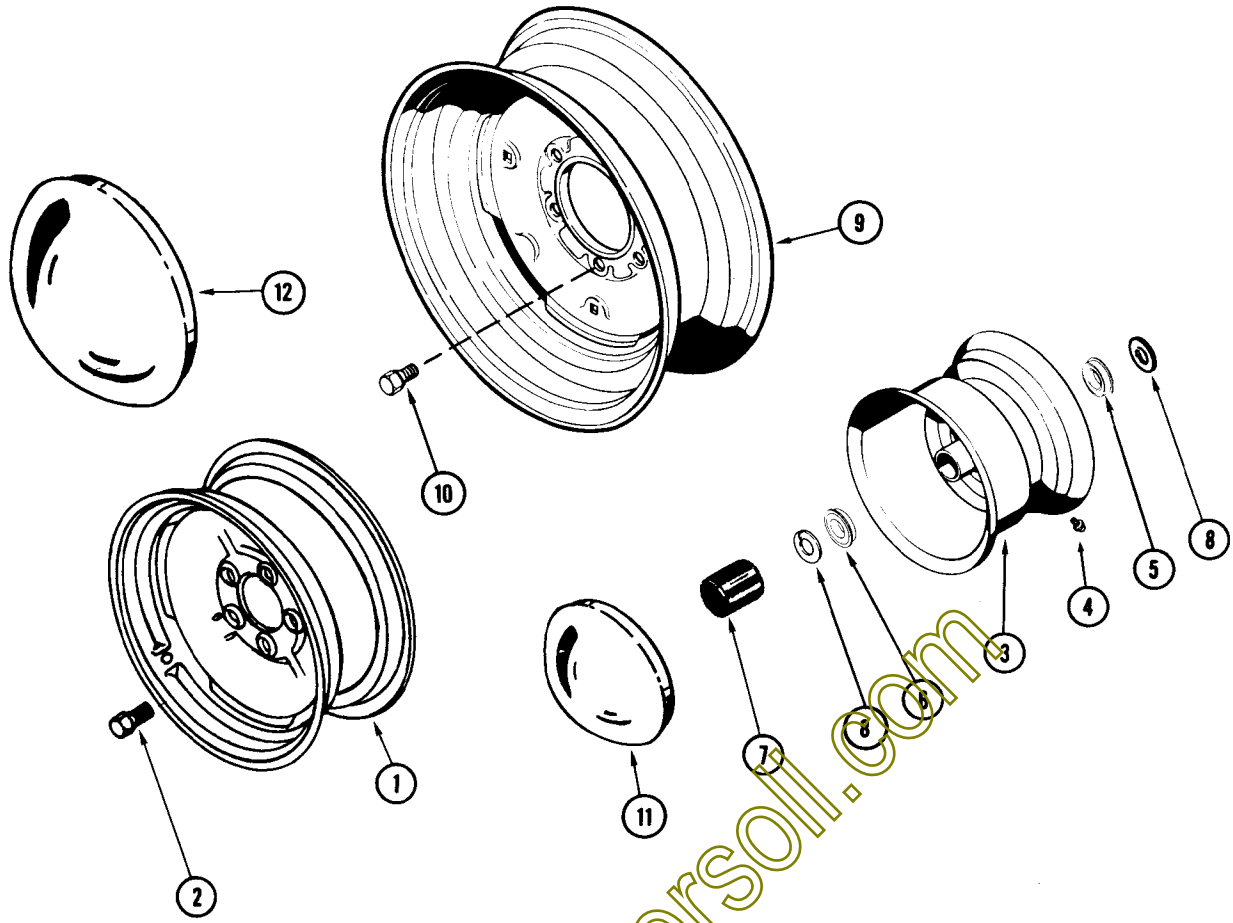


USED PRIOR TO S/N 9622352

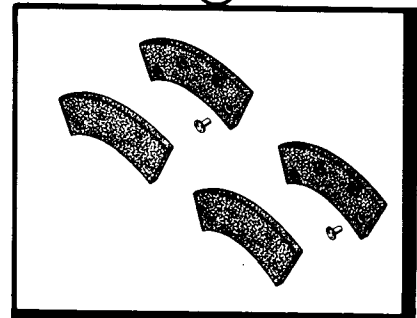
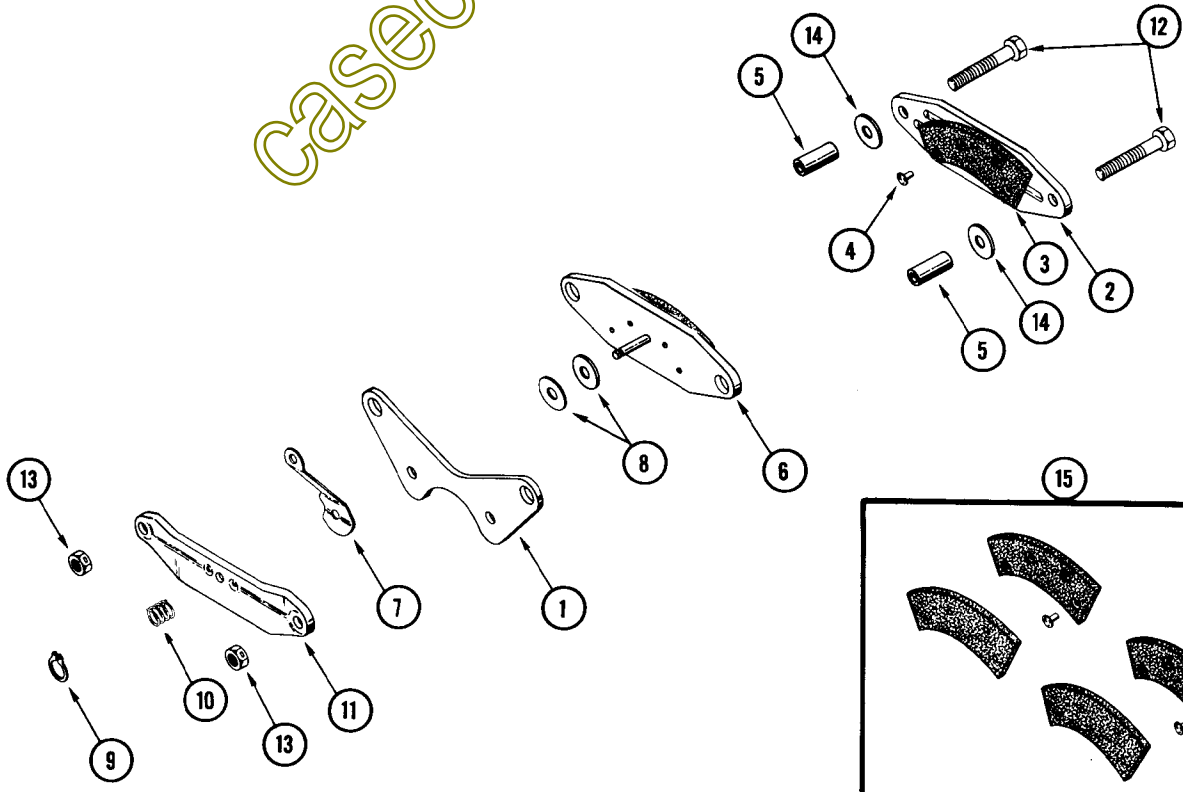


195 FRONT AXLE

REF.	PART NO.	DESCRIPTION	REQ'D
1	C 12000	AXLE - front	1
2	C 13586	SPINDLE - R.H. (Used in production S/N 9622352 and after)	1
3	C 13587	SPINDLE - L.H. (Used in production S/N 9622352 and after)	1
4	B 18208	RING - external retaining, 1"	2
5	C 13716	WASHER - thrust	2
6	219- 8	FITTING - lube	2
7	A 30881	WASHER - wheel spacer	2
8	C 13106	COVER - lube fitting	3
9	C 10952	YOKE - adjustable	1
10	132- 311	PIN - cotter 5/32" x 1-1/4" (For C13586 & C13587 spindles)	2
11	C 12975	WASHER - wheel spindle (For C13586 & C13587 spindles)	2
12	C 12115	WASHER - wavy	2
13	C 12103	ROD - drag link (Used in production S/N 9627170 and after)	1
14	C 13679	TIE ROD - (Used in production S/N 9627170 and after)	1
15	219- 38	FITTING - lube 45°	1
16	141- 56	PIN - clevis	1
17	132- 47	PIN - cotter 1/8" x 7/8"	1
18	C 13605	JOINT - ball 1/2" L.H. thread (For C13679 tie rod)	1
19	C 12102	JOINT - ball 1/2" R.H. thread	2
20	92- 8	LOCKWASHER - 1/2"	7
21	25- 118	NUT - 1/2" N.F. hex	5
22	25- 108	NUT - 1/2" N.C. hex	1
23	129- 325	NUT - 1/2" N.F. hex L.H. thread (For C13679 tie rod)	1
24	C 12003	PIN - axle pivot	1
25	192- 21	LOCKWASHER - 3/8"	1
26	113- 205	BOLT - 3/8" x 3/8" N.C. Hex	1
27	C 12104	ROD - drag link, not available (Order items 9, 12, 13, 16, 17, 20, & 22)	1
28	C 10246	TIE ROD - not available (Order items 14, 18, 21, & 23)	1
29	C 11902	SPINDLE - R.H., not available (Order items 2, 10, & 11)	1
30	C 11953	SPINDLE - L.H., not available (Order items 3, 10, & 11)	1
31	T 25683	RING - external retaining, 3/4"	2



casecoltingersoil.com

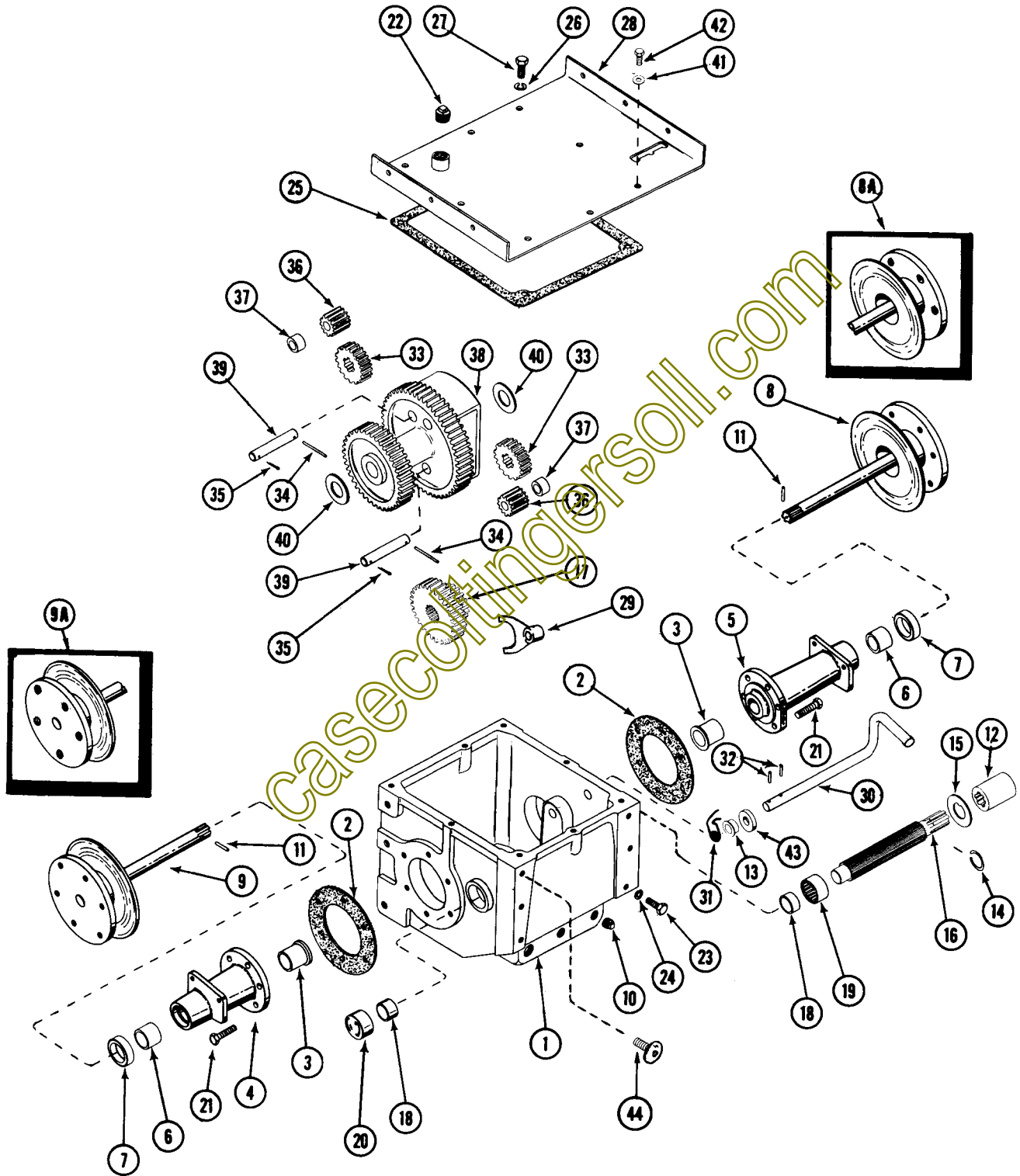


FRONT AND REAR WHEELS

REF. PART NO.	DESCRIPTION	Model	Model
		155	195
1 C 10263	WHEEL - rear (uses 5 bolts)	2	
2 C 10314	BOLT - rear wheel	10	
3 C 12081	WHEEL - front	2	2
4 219- 1	FITTING - lube, 1/8" NPT	2	2
5 C 12110	BEARING - front wheel (inner)	2	2
6 C 12111	BEARING - front wheel (outer)	2	2
7 C 12370	CAP - plastic, front wheel	2	2
8 T 25683	RING - external retainer	2	2
9 C 10317	WHEEL - rear (uses 6 bolts)		2
10 A 30064	BOLT - rear wheel		12
11 A 70062	CAP - hub cover front wheel (optional)	2	2
12 A 70185	CAP - hub cover rear wheel (optional)	2	

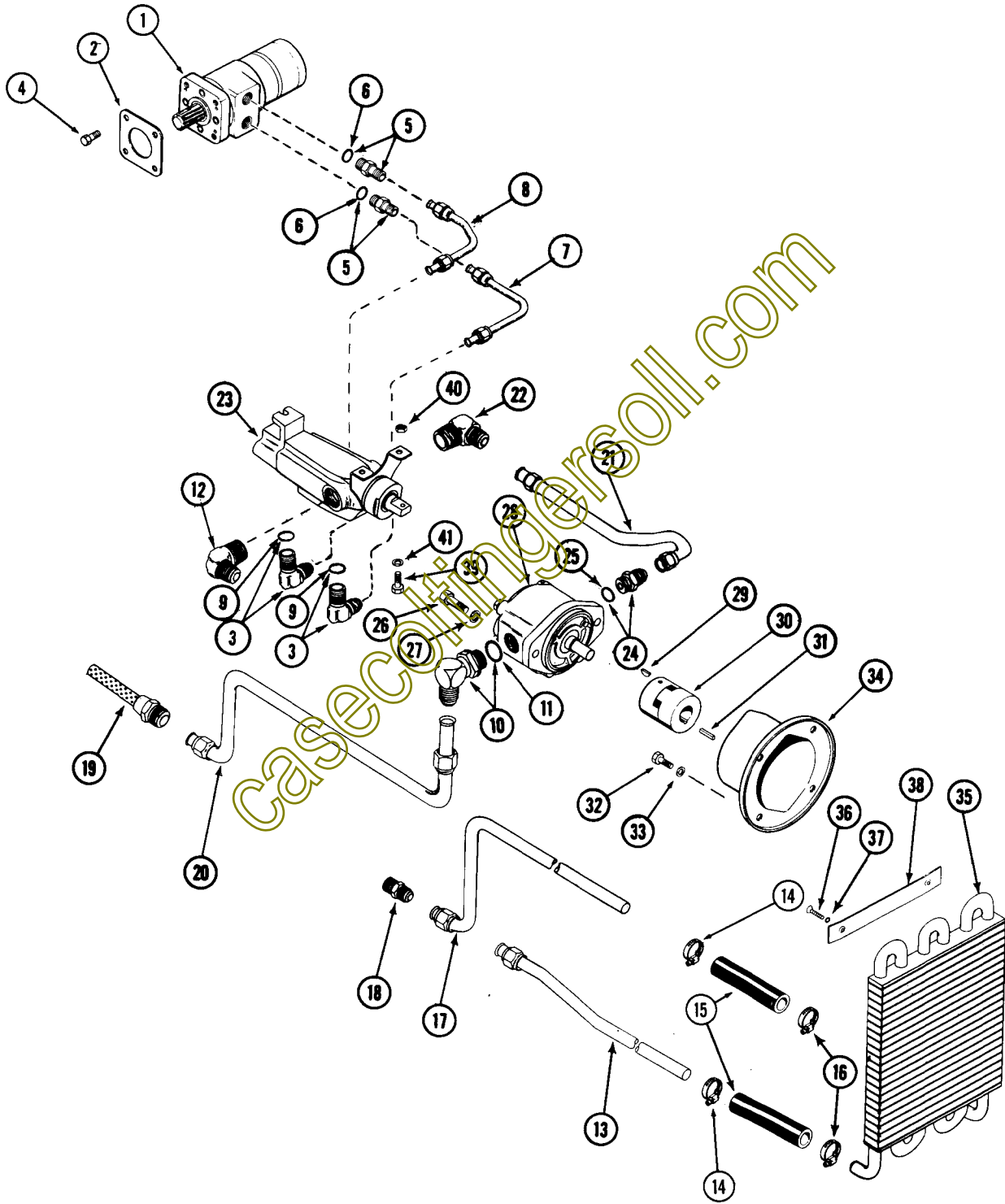
BRAKE ASSEMBLY

1 C 12140	BRACKET - brake - 155	1
1 C 12141	BRACKET - brake - 195	1
2 C 12621	CARRIER - solid side (includes lining)	1
3 NSS	LINING - friction	2
4 151- 106	RIVET - lining	8
5 C 12624	SPACER	2
6 C 12620	CARRIER - cam side (includes lining)	1
7 C 12623	CAM - actuating	1
8 C 13811	WASHER	2
9 G 10659	RING - external retaining	1
10 C 12625	SPRING - compression	1
11 C 12619	CAM - actuator	1
12 114- 201	BOLT - 3/8" x 1" N.F. Hex	2
13 131- 366	NUT - lock, 3/8" N.F.	2
14 01594-N	WASHER	2
15 C 12656	KIT - brake lining	1
NSS	LINING - friction	4
151- 106	RIVET - lining	16



TRANSMISSION AND FINAL DRIVE

REF.	PART NO.	DESCRIPTION	REQ'D
1	C 11640	CASE - transmission	1
2	A 70137	GASKET - housing to case	2
3	A 70142	BUSHING - flanged, rear axle housing	2
4	C 12147	HOUSING - rear axle, right hand	1
5	C 12146	HOUSING - rear axle, left hand	1
6	A 70141	BUSHING - plain, rear axle housing	2
7	A 70143	SEAL - rear axle housing	2
8	C 12144	SHAFT - axle, left hand (195)	1
8A	C 12584	SHAFT - axle, left hand (155)	1
9	C 12143	SHAFT - axle, right hand (195)	1
9A	C 12583	SHAFT - axle, right hand (155)	1
10	221- 4	PLUG - pipe, 1/2" square head	1
11	138- 102	PIN - axle retaining	2
12	C 10259	COUPLING - motor input	1
13	C 12156	BUSHING - nylon	1
14	B 18208	RING - coupling, retaining	1
15	C 10291	WASHER - input shaft stop	1
16	C 11998	SHAFT, transmission input	1
17	C 12009	CLUSTER - input gear	1
18	C 10299	RACE - bearing inner	2
19	F 19478	BEARING - input shaft, middle	1
20	C 12013	BEARING - input shaft, end	1
21	A 70127	BOLT - 3/8" x 1-1/4" N.C., special sealing	12
22	C 10303	PLUG - breather, transmission	1
23	13- 820	BOLT - 1/2" x 1-1/4", case to frame	6
24	92- 8	LOCKWASHER, 1/2" SAE	6
25	C 10302	GASKET - transmission case cover	1
26	92- 5	LOCKWASHER - 5/16" SAE	7
27	13- 512	BOLT - 5/16" x 3/4" N.C., trans. cover	7
28	C 10296	COVER - transmission case	1
29	C 12011	FORK - gear shift	1
30	C 10254	LEVER - shift	1
31	C 10261	SPRING - shift lever	1
32	138- 2002	PIN - shift fork, locating	2
33	C 10253	GEAR - differential	2
34	138- 2036	PIN - differential pin, locking	2
35	132- 69	PIN - cotter, 5/32" x 1"	4
36	C 10252	PINION - differential	4
37	A 70131	SPACER - differential pinion	4
38	C 10243	HOUSING - differential gear	1
39	C 10298	PIN - differential pinion	4
40	C 10292	WASHER - transmission	2
41	95- 5	WASHER - 5/16" SAE, plain	3
42	13- 510	BOLT - 5/16" x 5/8" trans. cover	1
43	C 11332	SEAL - shift shaft oil	1
44	C 12729	BOLT - 1/2" x 1" N.C. Hex, Socket Button Head (155)	1



HYDRAULIC SYSTEM

Used on Model 155 Tractors Prior to Serial Number 9623328

Used on Model 195 Tractors Prior to Serial Number 9627528

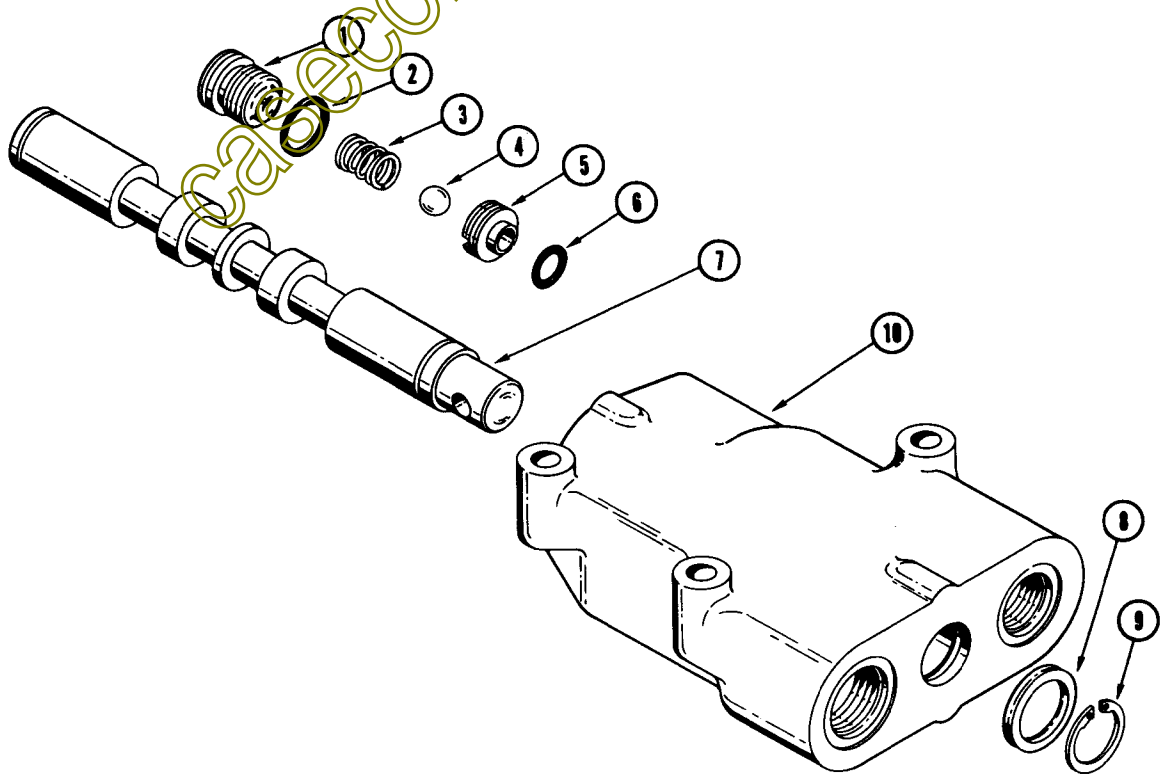
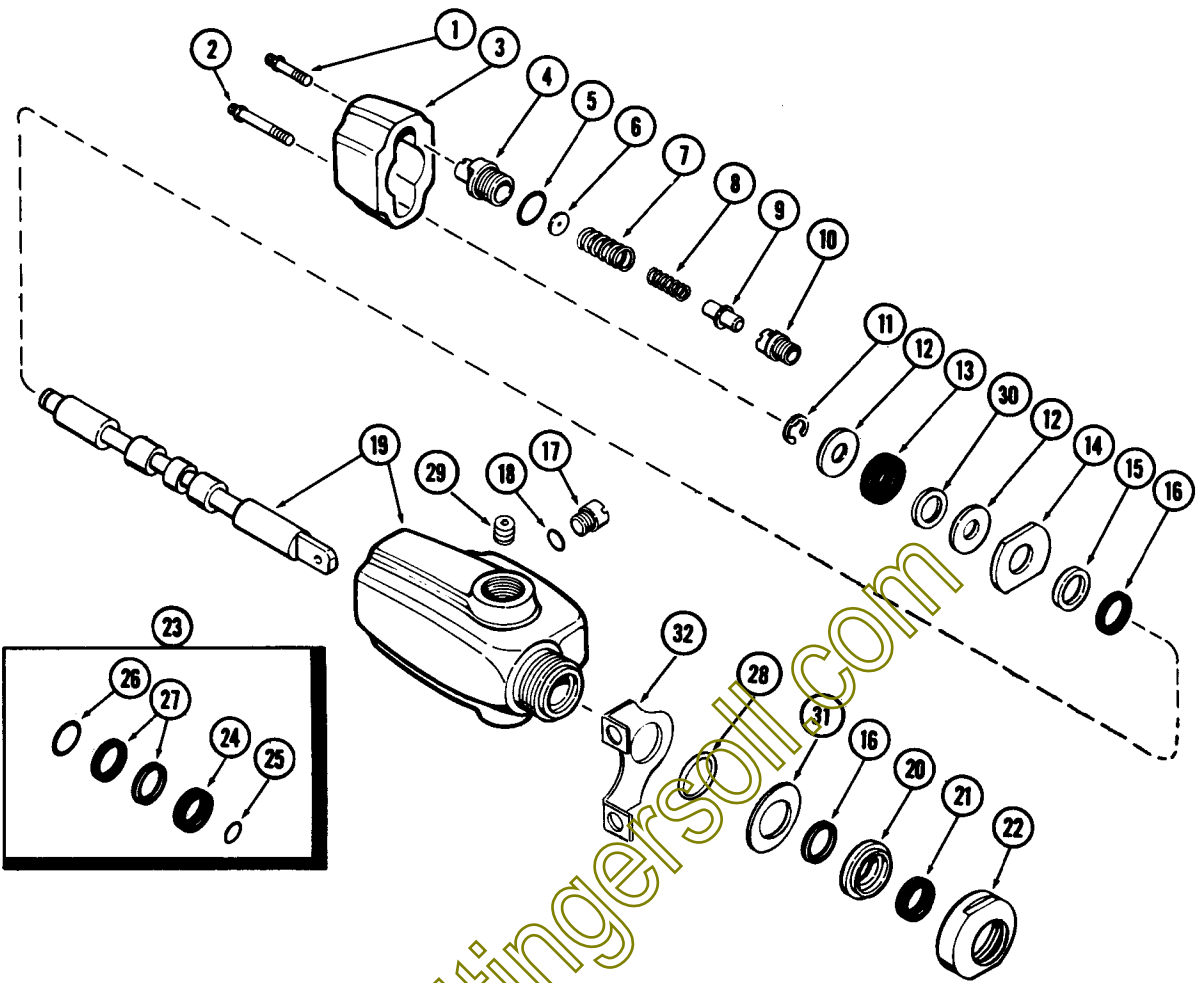
REF.	PART NO.	DESCRIPTION	REQ'D
1	C 12304	MOTOR - hydraulic (195) Repairs Page 41	1
1	C 12305	MOTOR - hydraulic (155) Repairs Page 41	1
2	A 70128	GASKET - motor to transfer case	1
3	218- 5106	FITTING - 90° elbow, 1/2" tube x 3/4"-16 "O" ring	2
4	A 70127	BOLT - special, Jay-Lock	4
5	218- 5060	FITTING - 1/2" tube x 7/8" thread	2
6	218- 5007	"O" RING - 5/8"	2
7	C 12394	TUBE - frt. valve port to motor (195)	1
7	C 12396	TUBE - frt. valve port to motor (155)	1
8	C 12395	TUBE - rear valve port to motor (195)	1
8	C 12397	TUBE - rear valve port to motor (155)	1
9	218- 5006	"O" RING - 1/2"	2
10	218- 5108	FITTING - 90°, 3/4" tube x 1-1/16" thread	1
11	218- 5008	"O" RING - 3/4"	1
12	218- 494	FITTING - 90°, 5/8" tube x 3/4" NPT	1
13	C 10266	TUBE - heat exchanger to valve	1
14	214- 253	CLAMP - hose	2
15	C 10419	HOSE	2
16	214- 253	CLAMP - hose	2
17	C 10267	TUBE - trans. to heat exchanger (195)	1
17	C 12067	TUBE - trans. to heat exchanger (155)	1
18	218- 445	FITTING - 3/4" tube x 3/4" NPT	1
19	A 70117	FITTING - w/filter	1
20	C 10264	TUBE - pump to transmission (195)	1
20	C 12070	TUBE - pump to transmission (155)	1
21	C 12142	TUBE - pump to valve	1
22	218- 1056	FITTING - 90° elbow, 1/2" tube x 3/4" thread	1
23	C 12149	VALVE - control (Repairs Page 37)	1
24	218- 5059	FITTING - "O" ring, 1/2" tube x 3/4" thread	1
25	218- 5006	"O" RING - 1/2"	1
26	166- 561	SCREW - ferry cap, 7/16"-20 x 1"	2
27	193- 31	LOCKWASHER - 7/16" external tooth	2
28	C 10493	PUMP - hydraulic (195) (Repairs Page 39)	1
28	C 10258	PUMP - hydraulic (155) (Repairs Page 39)	1
29	126- 12	KEY - Woodruff	1
30	A 70111	COUPLING - (Repairs Page 39)	1
31	W 5063-S	KEY - 1/4" square x 3/4"	1
32	113- 207	BOLT - 3/8" x 1" N.C. hex plated	4
33	192- 21	WASHER - 3/8" plated	4
34	A 70109	SUPPORT - hydraulic pump mounting	1
35	C 12072	EXCHANGER - heat	1
36	171- 209	SCREW - 1/4" x 1" N.C. hex plated	4
37	193- 52	LOCKWASHER - 1/4" external tooth	4
38	C 10348	BRACKET - heat exchanger	2
39	73- 410	SCREW - 1/4"-20 x 5/8" N.C. flat head	2
40	25- 104	NUT - 1/4"-20 N.C.	2
41	92- 4	LOCKWASHER - 1/4" SAE	2

HYDRAULIC SYSTEM

Used on Model 155 Tractors with S/N 9623328 and after.

Used on Model 195 Tractors with S/N 9627528 and after.

REF.	PART NO.	DESCRIPTION	REQ'D
1	A 70109	SUPPORT - hydraulic pump mounting	1
2	113- 207	BOLT - 3/8" x 1" N.C. hex Z.P.	4
3	192- 21	LOCKWASHER - 3/8" Z.P.	4
4	166- 561	BOLT - 7/16" x 1" Ferry Cap Z.P.	2
5	193- 31	LOCKWASHER - 7/16" internal tooth	2
6	W 5063S	KEY - 1/4" square x 3/4"	1
7	218- 5059	FITTING - "O" ring 1/2 tube x 3/4" thread	4
8	218- 5006	"O" RING - 1/2"	4
9	218- 5108	FITTING - "O" ring 90° 3/4" tube x 1-1/16" thread	1
10	218- 5008	"O" RING - 3/4"	1
11	C 14091	TUBE - rear valve to upper motor port (155)	1
12	C 14090	TUBE - front valve to lower motor port (155)	1
13	C 12067	TUBE - transmission to heat exchanger (155)	1
13	C 10267	TUBE - transmission to heat exchanger (195)	1
14	C 12070	TUBE - pump to transmission (155)	1
14	C 10264	TUBE - pump to transmission (195)	1
15	C 13414	TUBE - pump to valve	1
16	C 13663	TUBE - valve to heat exchanger	1
17	A 70111	COUPLING - pump drive	1
18	A 70117	FITTING - transmission w/filter	1
19	C 12072	EXCHANGER - heat	1
20	C 10348	BRACKET - heat exchanger mounting	2
21	171- 209	SCREW - 1/4" x 1" N.C. flat hd. Phillips Z.P.	4
22	193- 52	LOCKWASHER - 1/4" external tooth	4
23	218- 455	FITTING - 5/8" tube x 1/2" male pipe	1
24	214- 253	CLAMP - hose	4
25	C 10419	HOSE - 5/8" heat exchanger	2
26	A 70128	GASKET - motor to case	1
27	A 70127	BOLT - special 3/8" x 1-1/4" jay lock	4
28	218- 5060	FITTING - "O" ring 1/2 tube x 7/8 thread	2
29	218- 5007	"O" RING - 5/8"	3
30	C 12305	MOTOR - hydraulic (155) (Repairs see page 41)	1
30	C 12304	MOTOR - hydraulic (195) (Repairs see page 41)	1
31	C 10258	PUMP - hydraulic (155) (Repairs see page 39)	1
31	C 10493	PUMP - hydraulic (195) (Repairs see page 39)	1
32	C 13341	VALVE - hydraulic control (Repairs see page 37)	1
33	218- 5062	FITTING - "O" ring 5/8 tube x 7/8 thread	1
34	73- 528	SCREW - 5/16" x 1-3/4" N.C. flat head	3
35	92- 5	LOCKWASHER - 5/16"	3
36	25- 105	NUT - 5/16" N.C. hex	3
37	126- 12	KEY - Woodruff	1
38	C 14093	TUBE - rear valve to lower motor post (195)	1
39	C 14092	TUBE - rear valve to upper motor post (195)	1



C-12149 HYDRAULIC CONTROL VALVE

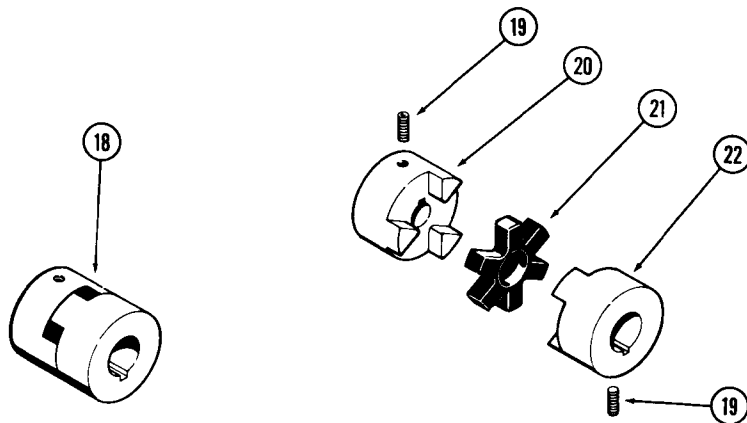
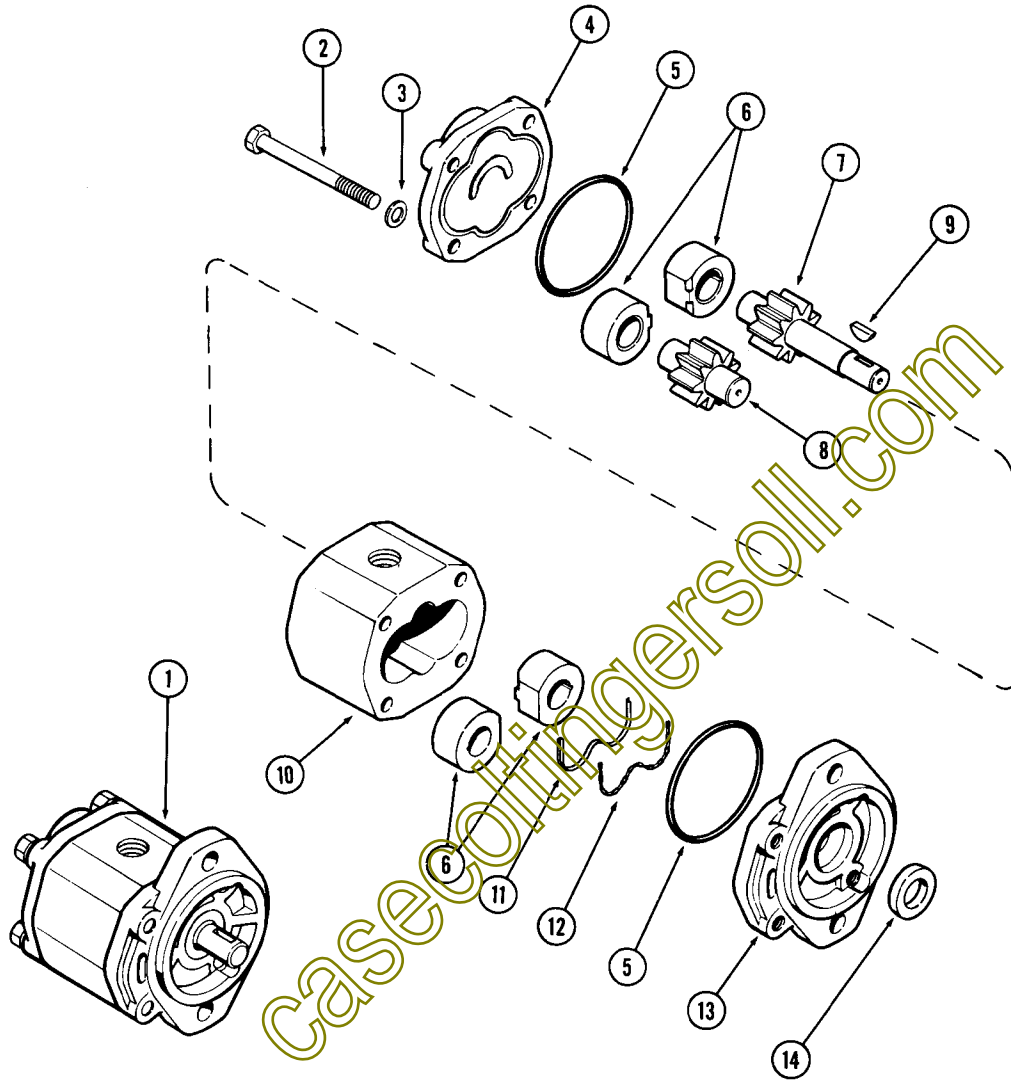
Used on Model 155 Tractors prior to Serial Number 9623328.
 Used on Model 195 Tractors prior to Serial Number 9627528.

REF. PART NO.	DESCRIPTION	REQ'D
1 166- 6	CAPSCREW - 1/4" x 1" N.C. ferry head	1
2 166- 8	CAPSCREW - 1/4" x 1-1/2" N.C. ferry head	1
3 A 72065	CAP - valve end	1
4 A 72059	PLUG - relief valve	1
5 A 7982	"O" RING - relief valve plug	1
6 A 72069	SHIM - relief valve	2
7 A 72058	SPRING - relief valve (outer)	1
8 A 72071	SPRING - relief valve (inner)	1
9 A 72057	SPOOL - relief valve poppet	1
10 A 72055	SEAT - relief valve	1
11 O 9638AB	SNAP RING - valve	1
12 A 72060	WASHER - valve spool end spacer	2
13 A 72063	SPACER - valve spool end	1
14 A 72066	WASHER - retainer relief valve plug	1
15 A 72067	RING - back up	1
16 A 72062	SEAL - quad ring	2
17 A 72056	PLUG	1
18 A 72061	"O" RING - plug	1
19 C 12524	BODY AND SPOOL ASSEMBLY - SAE ports	1
20 A 72068	RETAINER - seal	1
21 A 72070	SEAL - vee	1
22 A 72064	CAP - valve end	1
23 A 72072	KIT - valve seal repair	1
24 A 72070	SEAL - vee	1
25 A 72061	"O" RING - 5/8"	1
26 A 7982	"O" RING - 13/16"	1
27 A 72C52	QUAD RING	2
28 T 13224	SEAL - "O" ring	1
29 C 10990	PLUG - conversion	1
30 C 10989	WASHER	1
31 C 10988	WASHER - special	1
32 C 10987	BRACKET MOUNTING	1

C-13341 HYDRAULIC CONTROL VALVE

Used on Model 155 Tractors Serial Number 9623328 and after.
 Used on Model 195 Tractors Serial Number 9627528 and after.

1 C 13512	PLUG - adjusting	1
2 16905	SEAL - "O" ring	1
3 C 13515	SPRING - relief	1
4 211- 10	BALL	1
5 C 13510	SEAT - ball	1
6 A 27891	SEAL - "O" ring	1
7 NSS	SPOOL (Order C13341 valve)	1
8 C 13514	SEAL - quad ring	2
9 C 13513	RING - retainer	2
10 NSS	BODY - valve (Order C13341 valve)	1



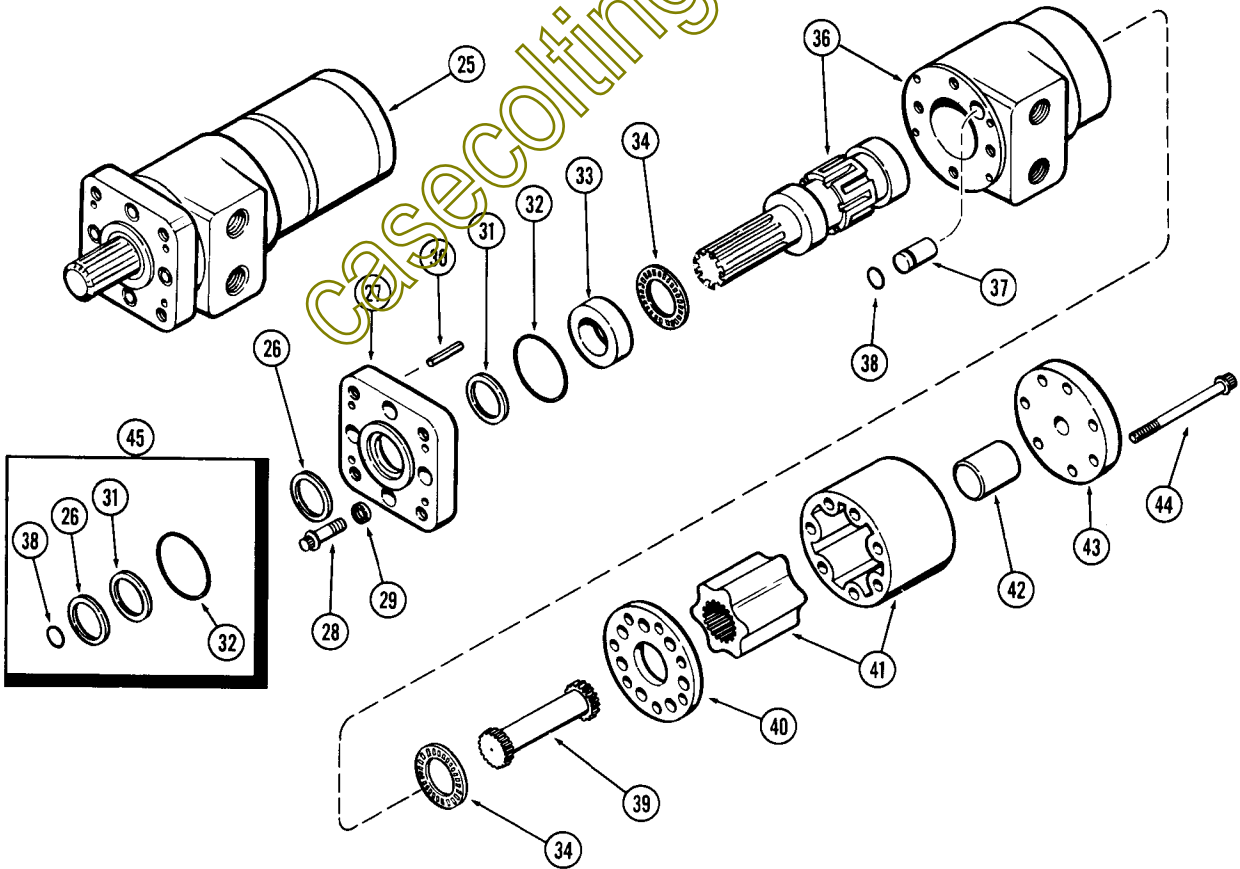
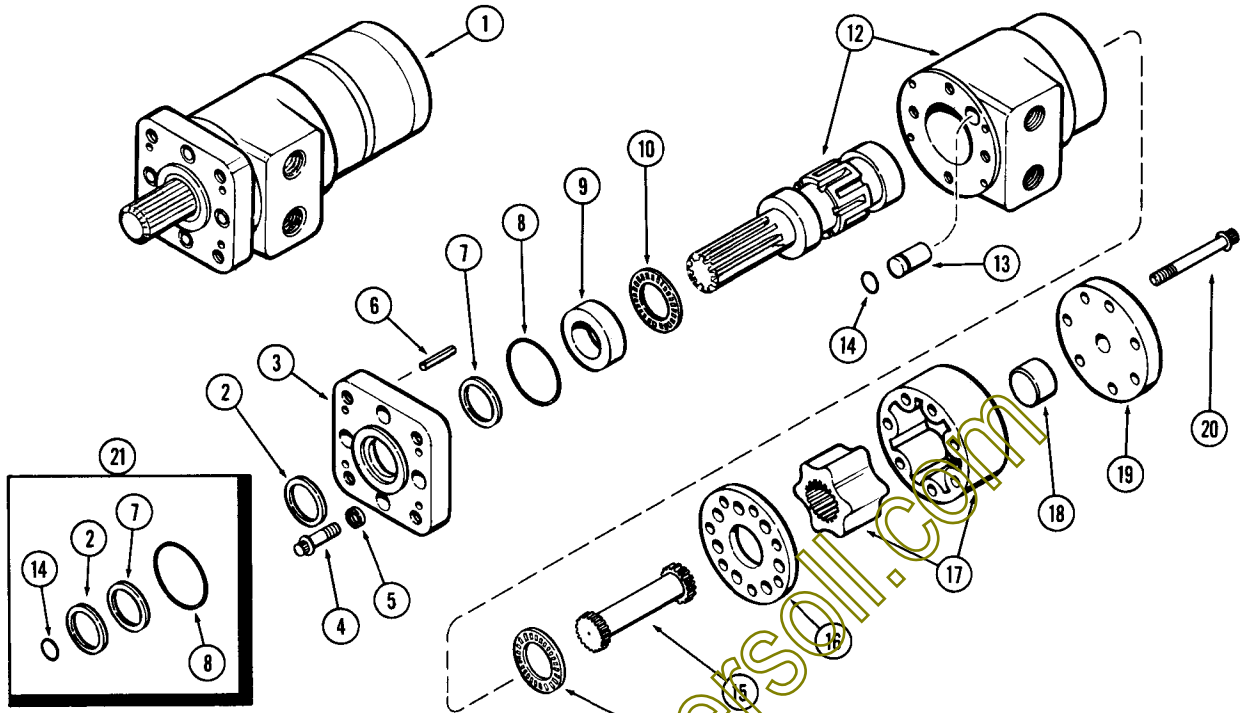
HYDRAULIC PUMP

REF.	PART NO.	DESCRIPTION	REQ'D
1	C 10493	PUMP - hydraulic (195).....	1
1	C 10258	PUMP - hydraulic (155).....	1
2	13- 652	BOLT - 3/8" x 3-1/4" N.C. hex head.....	4
3	A 72000	WASHER - special.....	4
4	C 11644	COVER - rear, pump body.....	1
5	A 72003	SEAL - pump cover.....	2
6	A 35956	BEARING - pump gear.....	4
7	C 11642	GEAR - pump drive (For C10258 pump on Model 155).....	1
7	A 72005	GEAR - pump drive (For C10493 pump on Model 195).....	1
8	C 11643	GEAR - pump driven (For C10258 pump on Model 155).....	1
8	A 72004	GEAR - pump driven (For C10493 pump on Model 195).....	1
9	126- 12	KEY - Woodruff #6.....	1
10	NSS	BODY - pump (Order C10258 or C10493).....	1
11	A 72001	GASKET - brass, front cover.....	1
12	A 72002	SPACER - gasket, front cover.....	1
13	A 72007	COVER - front pump body.....	1
14	G 13827	SEAL - pump shaft.....	1

PUMP DRIVE COUPLING

18	A 70111	COUPLING - pump drive.....	1
19	83- 55	SCREW - 5/16" x 5/16" N.C. socket head set.....	2
20	NSS	HUB - half, 5/8" dia. bore (Order A70111).....	1
21	A 70112	SPIDER - coupling.....	1
22	NSS	HUB - half, 1" dia. bore (Order A70111).....	1

casecoltinger.com

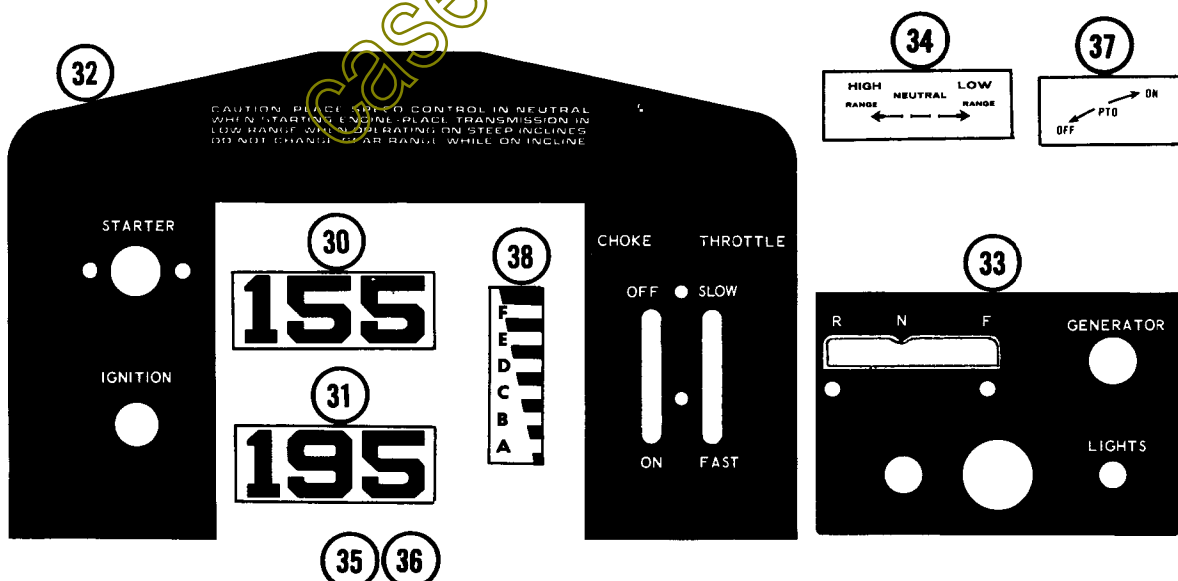
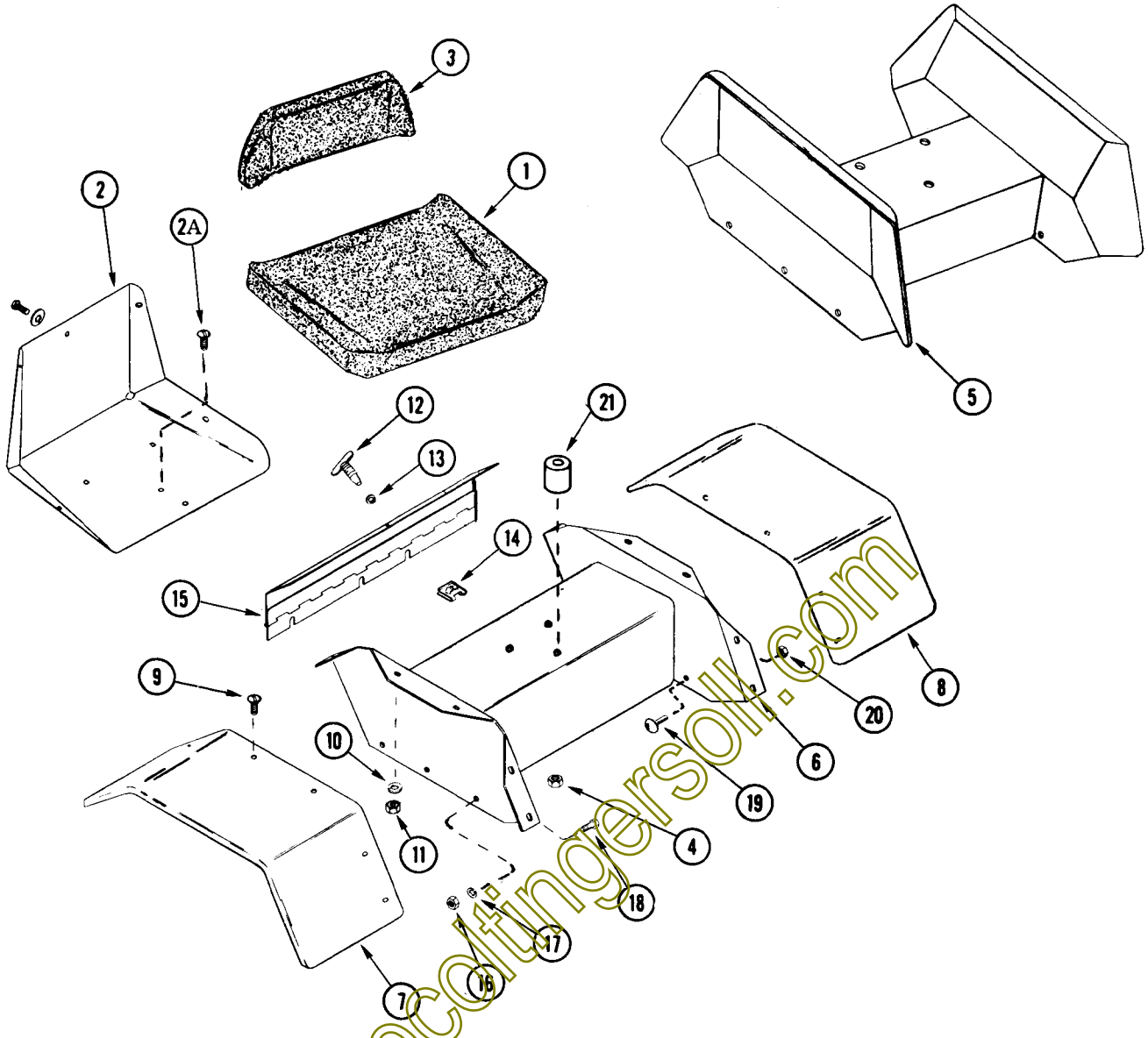


155 HYDRAULIC DRIVE MOTOR

REF. PART NO.	DESCRIPTION	REQ'D
1 C 12305	MOTOR - hydraulic drive (155)	1
2* NSS	OIL SEAL - mtg. plate (See ref. 21)	1
3 A 72028	PLATE - mounting	1
4 166- 23	CAPSCREW - ferry 5/16" x 5/8" N.C.	4
5 193- 82	LOCKWASHER - int. shakeproof 5/16"	4
6 138- 134	PIN - roll 1/4" x 1"	4
7* NSS	QUAD RING - mtg. plate (See ref. 21)	1
8* A 17528	"O" RING - mtg. plate to hsg. (See ref. 21)	1
9 A 72030	RACE - output shaft bearing	1
10 A 72031	BEARING - thrust, output shaft thrust	2
12 C 12682	SHAFT AND HOUSING	1
13 A 72034	PLUG - housing	1
14* NSS	"O" RING - hsg. plug (See ref. 21)	1
15 A 72027	COUPLING - drive	1
16 A 72026	PLATE - spacer	1
17 A 72025	GEROTOR SET (1-1/4" thick)	1
18 A 72051	SPACER - cplg. drive (3/4" thick)	1
19 A 72024	CAP - end	1
20 166- 531	CAPSCREW - ferry 5/16" x 2-1/2" N.F.	7
21 A 72036	KIT - "O" ring and seal (incl. items marked w/*)	1

195 HYDRAULIC DRIVE MOTOR

25 C 12304	MOTOR - hydraulic drive (195)	1
26* NSS	OIL SEAL - mtg. plate (See ref. 45)	1
27 A 72028	PLATE - mounting	1
28 166- 23	CAPSCREW - ferry 5/16" x 5/8" N.C.	4
29 193- 82	LOCKWASHER - int. shakeproof 5/16"	4
30 138- 134	PIN - roll, 1/4" x 1"	4
31* NSS	QUAD RING - mtg. plate (See ref. 45)	1
32* NSS	"O" RING - (See ref. 45)	1
33 A 72030	RACE - output shaft bearing	1
34 A 72031	BEARING - thrust, output shaft	2
36 C 12682	SHAFT AND HOUSING	1
37 A 72034	PLUG - housing	1
38* NSS	"O" RING - housing plug (See ref. 45)	1
39 A 72027	COUPLING - drive	1
40 A 72026	PLATE - spacer	1
41 A 72112	GEROTOR SET (2" thick)	1
42 A 72113	SPACER - cplg. drv. (1-1/2" thick)	1
43 A 72024	CAP - end	1
44 166- 532	CAPSCREW - ferry, 5/16" x 3-1/4" N.F.	7
45 A 72036	KIT - "O" ring and seal (incl. item marked w/*)	1



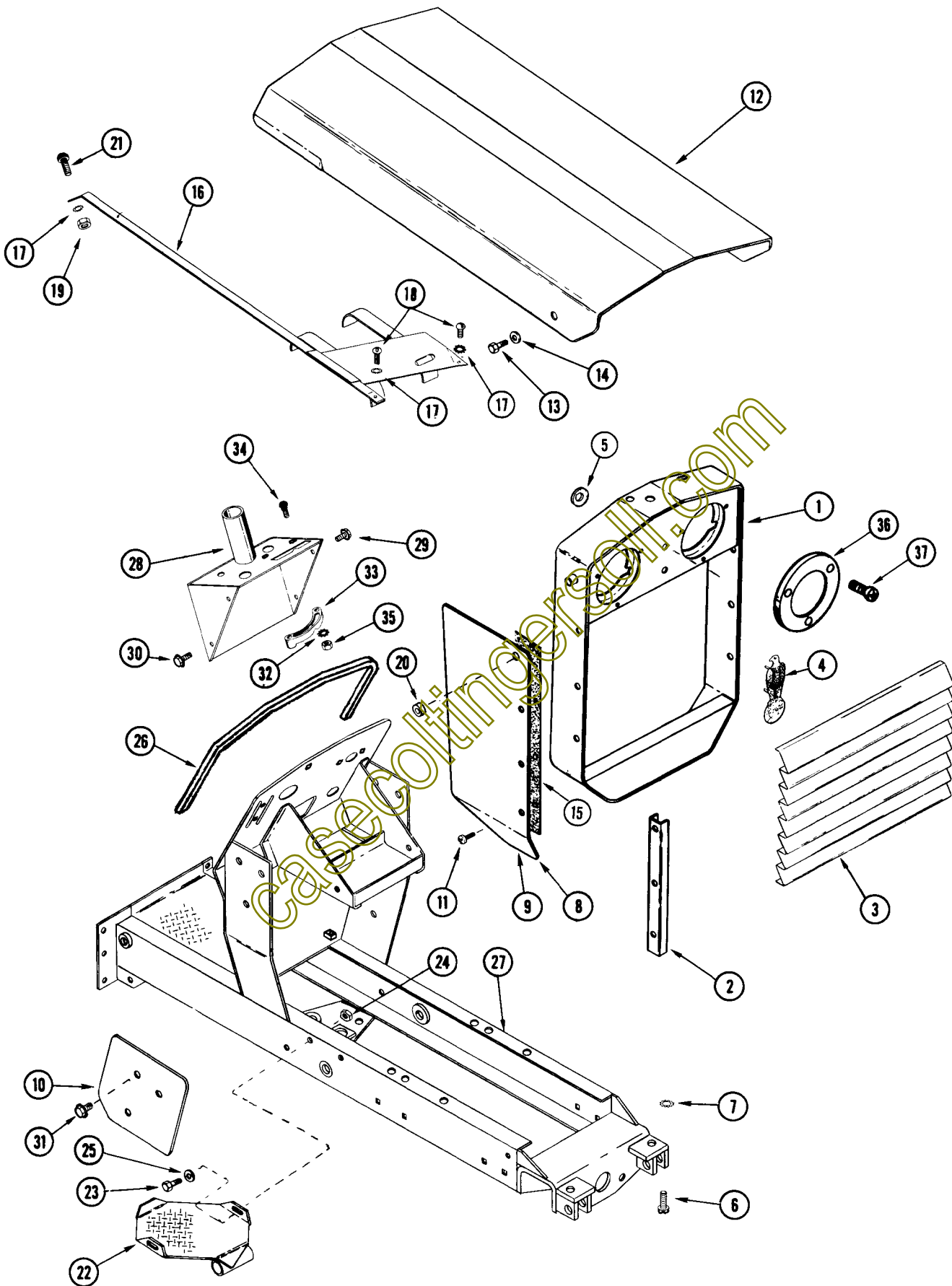
Hydra-Static Drive **CASE**

SEAT, FENDERS AND TOOL BOX

REF.	PART NO.	DESCRIPTION	REQ'D
	C 10421	SEAT ASSEMBLY	1
1	C 11636	CUSHION - seat	1
2	C 11637	PAN - seat	1
2A	111- 207	BOLT - Rd. Hd. Short Sq. Neck, 5/16" x 2" N.C.	3
3	C 11635	CUSHION - back	1
4	131- 351	NUT - 5/16" N.C., hex	3
5	C 10429	SUPPORT - seat (195)	1
6	C 10380	SUPPORT - seat (155)	1
7	C 10395	FENDER - right hand (155)	1
8	C 10396	FENDER - left hand (155)	1
9	175- 400	SCREW - 1/4"-20 x 1/2" truss head	10
10	192- 19	LOCKWASHER - 1/4" Z.P.	10
11	129- 101	NUT - 1/4" N.C., hex, Z.P.	10
12	C 10423	STUD - tool box latch	1
13	C 10489	WASHER - stud retainer	1
14	C 10490	RECEPTACLE - stud clip-on	1
15	C 10424	DOOR - tool box	1
16	129- 102	NUT - 5/8" N.C., hex, Z.P.	5
17	192- 20	LOCKWASHER - 5/16" Z.P.	5
18	115- 103	BOLT - 5/16"-18 x 3/4" rd. hd., plated	5
19	175- 46	SCREW - 5/16" x 3/8" truss head, plated	1
20	131- 176	NUT - 5/16" N.C., Gripco, plated	1
21	C 10433	MOUNTS - seat	3

DECALS

30	C 12180	DECAL - Model 155	2
31	C 12181	DECAL - Model 195	2
32	C 12212	DECAL - instrument panel (large)	1
33	C 13934	DECAL - instrument panel (small)	1
34	A 70233	DECAL - Hi-Lo shift	1
35	C 12276	DECAL - hood stripe, R. H.	1
36	C 12277	DECAL - hood stripe, L. H.	1
37	C 10936	DECAL - PTO ON-OFF	1
38	C 12506	DECAL - level indicator	1

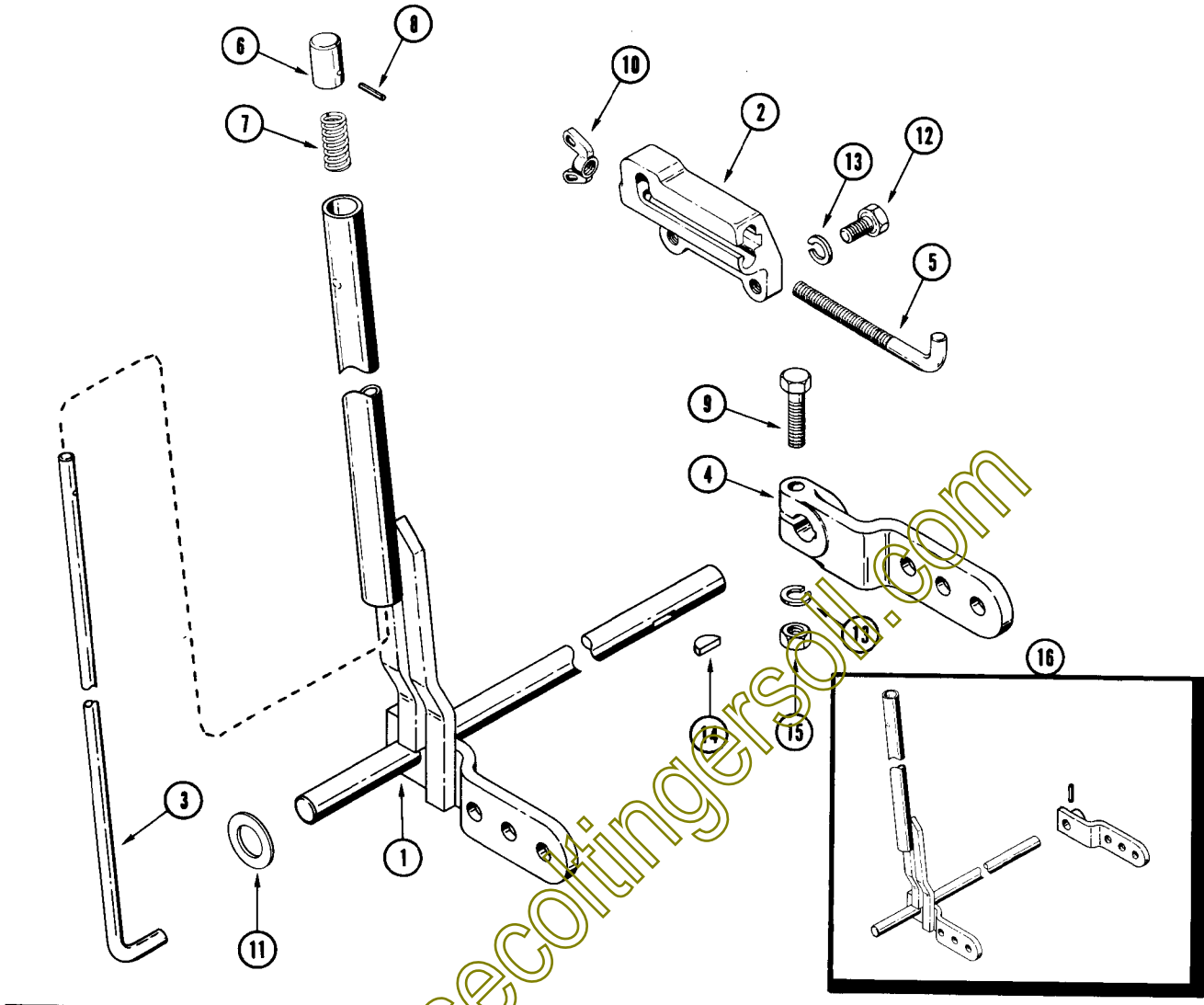


HOOD, FRAME AND GRILLE

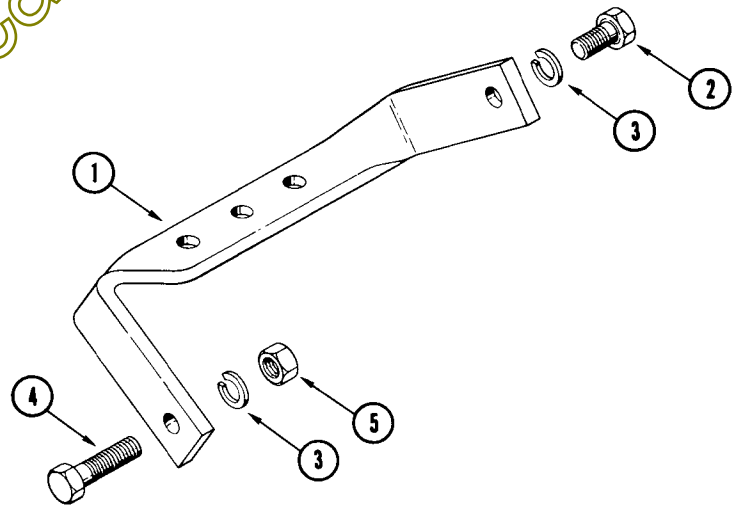
REF.	PART NO.	DESCRIPTION	REQ'D
1	C 11295	GRILLE	1
2	C 10349	BRACKET - grille mounting	2
3	C 10413	PANEL - grille	1
4	A 24526	MEDALLION - radiator grille	1
5	131- 413	PALNUT - 1/4"	2
6	182- 509	SCREW - 5/16"-18 x 1" pan head, Phillips	2
7	193- 9	LOCKWASHER - 5/16" SAE external tooth	2
8	C 10370	PANEL - front, side, right hand	1
9	C 10371	PANEL - front, side, left hand	1
10	C 12234	PANEL - rear, side, right hand	1
10	C 12114	PANEL - rear, side, left hand	1
11	C 10596	SCREW - #10 Phillips pan head	6
12	C 10360	HOOD	1
13	C 10361	SCREW - 1/4"-20 x 1/2", lock, plated	2
14	C 11534	BUSHING - hood	2
15	C 12165	WRAPPER - front panel	2
16	C 12203	BRACKET - fuel tank mounting	1
17	193- 8	WASHER - 1/4" shakeproof	3
18	173- 207	SCREW - 1/4" x 5/8" rd. hd. machine	3
19	129- 101	NUT - 1/4" N.C., zinc plated	1
20	C 11533	SPACER - hood	2
21	111- 128	BOLT - 1/4"-20 x 3/4" rd. hd., square neck	1
22	C 10283	FOOTPAD	2
23	15- 514	BOLT - 5/16" x 7/8" N.C., hex	2
24	25- 105	NUT - 5/16" N.C., hex	2
25	92- 5	LOCKWASHER - 5/16" SAE	2
26	C 11582	CHANNEL - instrument panel liner	1
27	C 13621	FRAME - main (195)	1
27	C 13622	FRAME - main (155)	1
28*	C 13597	SUPPORT - steering (195)	1
28*	C 13389	SUPPORT - steering (155)	1
29	187- 1009	SCREW - 1/4"-20 x 3/8" shakeproof	1
30	187- 1043	SCREW - 1/4"-20 x 1/2" self-tapping, hex head	3
31	187- 1036	SCREW - 1/4"-20 x 1/2" self-tapping	6
*	C 14063	KIT - speed control locator	1
32	193- 57	WASHER - 1/4" external tooth	2
33	C 13388	LOCATOR - speed control	1
34	111- 129	SCREW - 1/4"-20 x 1" rd. hd., square neck, Z.P.	2
35	129- 101	NUT - 1/4" N.C., hex, Z.P.	2
36	A 11275	RING - headlamp retainer	1
37	187- 1008	SCREW - #6 x 1/2" pan head, self-tapping	6

* Used on Model 155 Tractor with Serial Number 9622668 and above.
Used on Model 195 Tractor with Serial Number 9627170 and above.

Also use as parts replacement on Model 155 and 195 tractors prior to above listed serial numbers by adding Part No. C14063 Locator Kit.



casecoilingers.com



IMPLEMENT LIFT

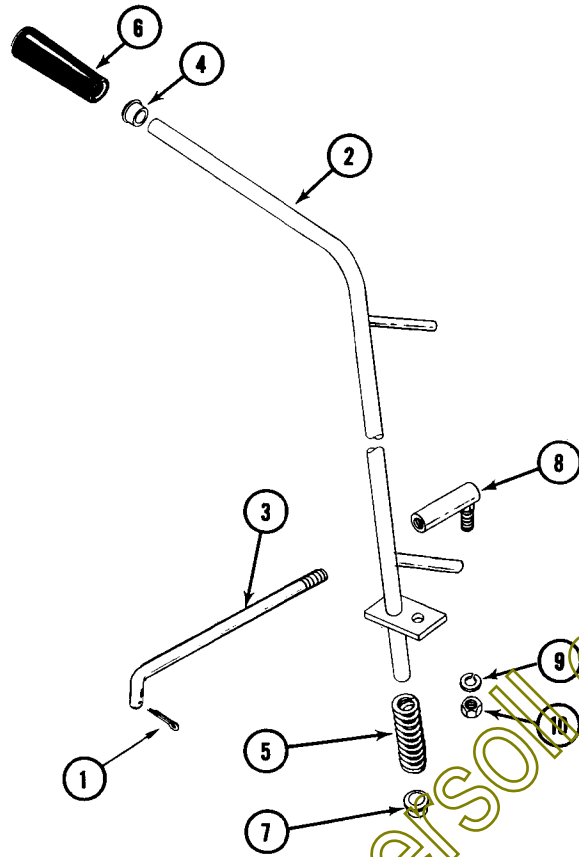
REF.	PART NO.	DESCRIPTION	REQ'D
1	C 13356	LEVER - implement lift (keyed type)	1
2	C 13289	PAD - lift lever	1
3	C 10338	ROD - lift lever	1
4*	C 11870	LEVER - pivot	1
5	C 12280	ROD - depth adjusting	1
6	C 10356	BUTTON - thumb	1
7	C 10482	SPRING - compression	1
8	138- 2026	PIN - spiral, 1/8" x 3/4"	1
9*	113- 219	BOLT - 3/8" x 2" N.C., hex, Z.P.	1
10	129- 549	NUT - wing 3/8" Z.P.	1
11	195- 545	WASHER - 13/16" plain	1
12	115- 203	BOLT - 3/8"-16 x 3/4" N.C., hex head	2
13	192- 21	LOCKWASHER - 3/8" Z.P.	3
14*	126- 119	KEY - Woodruff #11	1
15*	129- 103	NUT - 3/8" N.C., hex, Z.P.	1
16**	C 12570	LEVER ASSEMBLY - implement lift, pinned type, (Not available) (Order one each items 1, 4, 9, 13, 14, & 15)	1

DRAWBAR AND TOW HITCH

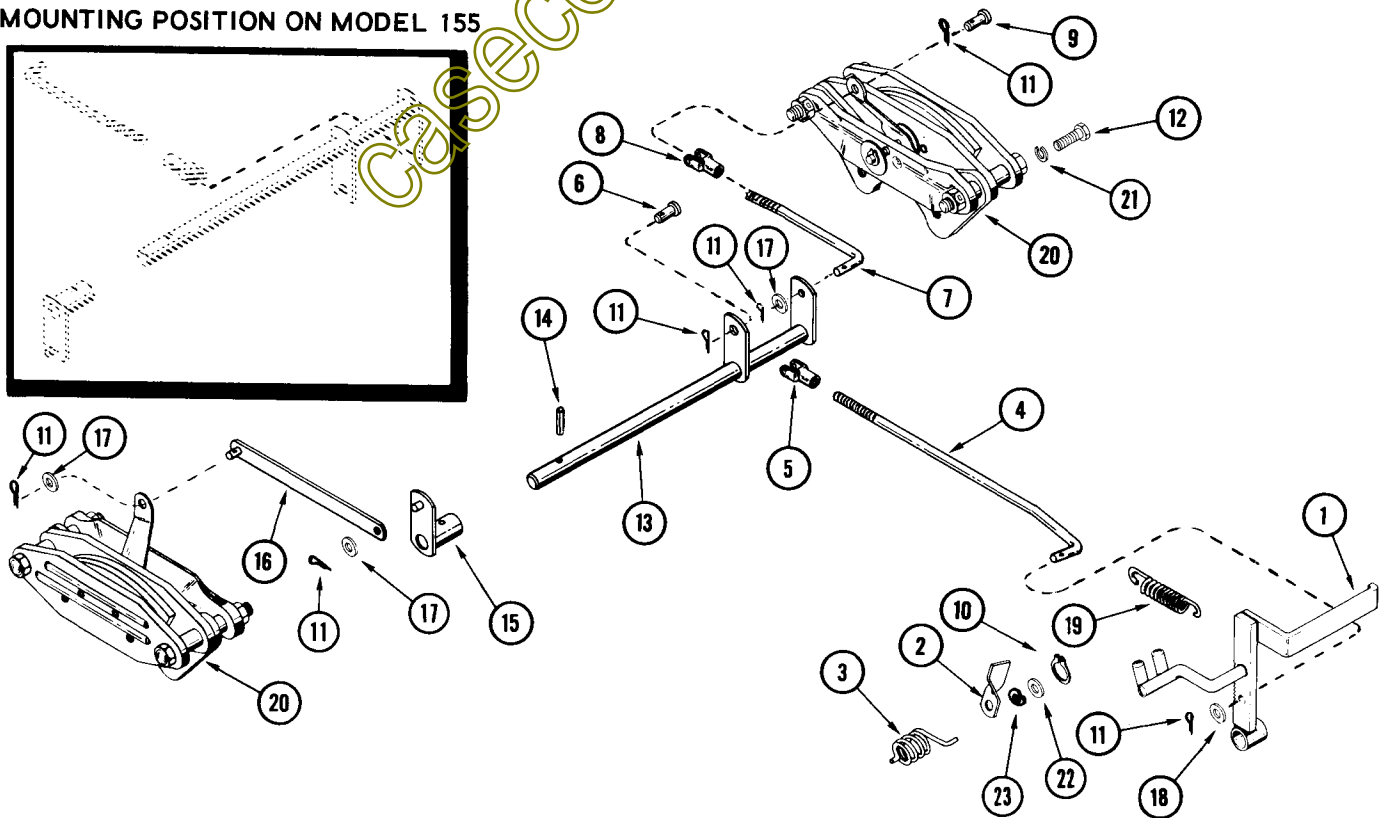
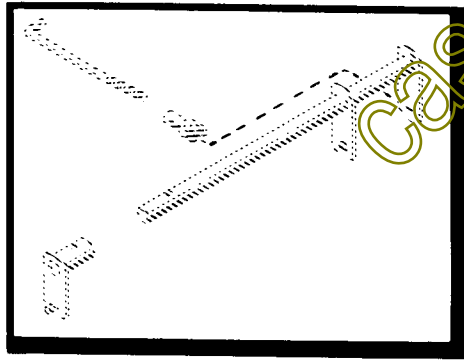
1	C 10449	DRAWBAR - hitch	1
2	15- 816	BOLT - 1/2" x 1" N.C., hex	1
3	92- 8	LOCKWASHER - 1/2"	2
4	15- 836	BOLT - 1/2" x 2-1/4" N.C., hex	1
5	25- 108	NUT - 1/2" N.C., hex	1

* Used on Model 155 S/N 9622882 and after and Model 195 S/N 9627208 and after.

** Used on Model 155 prior to S/N 9622882 and Model 195 prior to S/N 9627208.



MOUNTING POSITION ON MODEL 155



SPEED CONTROL

REF. PART NO.	DESCRIPTION	REQ'D
1 132- 320	PIN - cotter 3/32" x 3/4" Z.P.	1
2 C 12139	LEVER - speed control	1
3 C 11943	ROD - speed control (Use with C12149 control valve)	1
3 C 14059	ROD - speed control (Use with C13341 control valve)	1
4 C 12093	BUSHING - fliplock	1
5 C 11942	SPRING - compression	1
6 A 37247	KNOB - speed control lever	1
7 C 12127	BUSHING - nylon	1
8 C 12168	JOINT - ball	1
9 192- 20	LOCKWASHER - 5/16" std. plated	1
10 129- 102	NUT - 5/16" N.C., hex, Z.P.	1

BRAKE MOUNTING

1 C 12597	PEDAL - brake	1
2 C 12604	LOCK - brake	1
3 C 13357	SPRING - brake lock	1
4 C 12135	ROD - brake	1
5 213- 4	CLEVIS - 3/8"	1
6 141- 4	PIN - clevis, 3/8"	1
7 C 12145	ROD - pull, L.H.	1
8 213- 3	CLEVIS - 5/16"	1
9 141- 3	PIN - clevis, 5/16"	1
10 A 11538	RING - external retaining	1
11 132- 26	PIN - cotter, 3/32" x 3/4"	6
12 113- 206	BOLT - 3/8" x 3/4" N.C., hex	4
13 C 12132	SHAFT - brake	1
14 138- 2005	PIN - spiral, 1/4" x 1"	1
15 C 12129	LEVER	1
16 C 12607	STRAP - pull, R.H.	1
17 195- 520	WASHER - plain plated	3
18 195- 104	WASHER - 3/8" plain plated	1
19 C 12612	SPRING - brake extension	1
20 NSS	BRAKE - (155) (See page 31)	2
20 NSS	BRAKE - (195) (See page 31)	2
21 192- 21	LOCKWASHER - 3/8" Z.P.	4
22 195- 533	WASHER - Z.P.	1
23 C 12115	WASHER - wavy 1/2"	1

ELECTRICAL SYSTEM

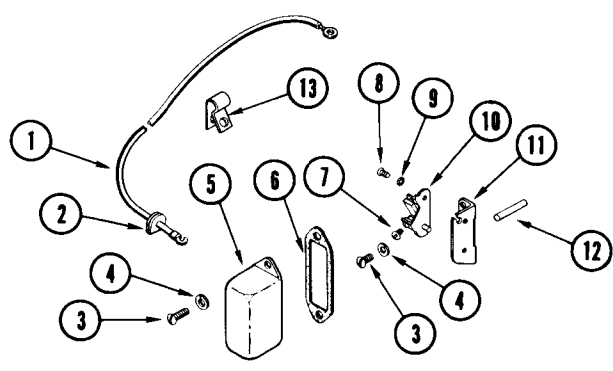
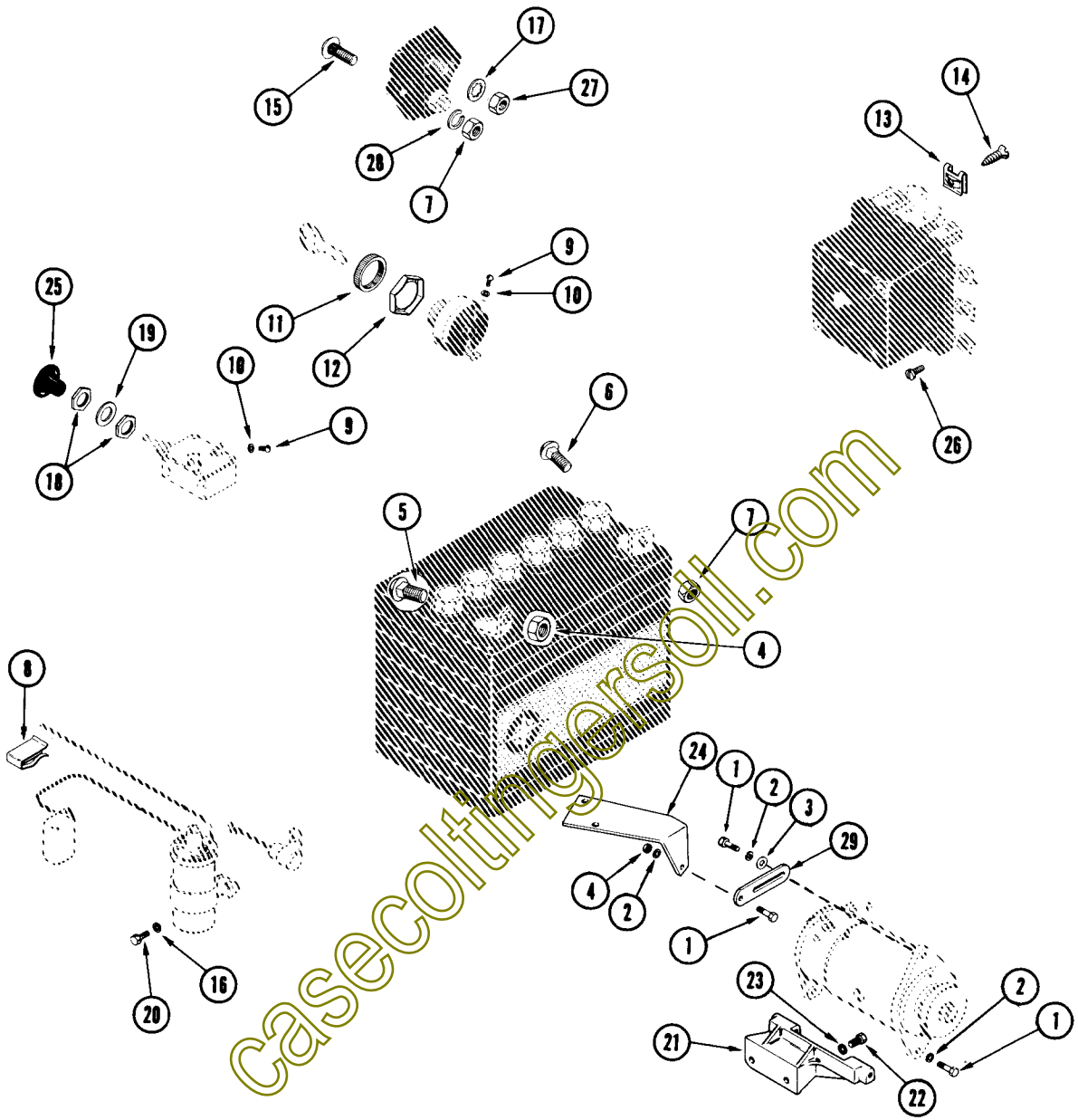
REF. PART NO.	DESCRIPTION	REQ'D
1 A 70202	STARTER - generator	1
2 M 20164	BATTERY - 12 volt	1
3 C 11247	SWITCH - starter	1
4 C 13985	SWITCH - ignition (Includes key)	1
5 C 12684	KEY - ignition	1
6 C 10474	SWITCH - light	1
7 A 70221	REGULATOR - voltage 12 volt	1
8 A 11280	HEADLAMP - 12 volt	2
9 A 11276	GASKET - headlight retainer	2
10 M 20007	SPARK PLUG (Includes gasket)	1
11 A 27251	GASKET - spark plug	1
12 KOA235095	CABLE - high tension	1
13 KO 230722	CONDENSER	1
14 KO 231281	COIL - ignition 12 volt	1
15 KO 232535	COVER - breaker contact	1
16 KO 231533	WIRE - breaker contact (Includes grommet)	1
17 C 12193	WIRE - regulator ground to starter switch (White 12")	1
18 C 12194	WIRE - regulator to light switch (Yellow 19")	1
19 C 12269	WIRE - connector to lights (Black)	1
20 C 12270	WIRE - light switch to head lamp (Black)	1
21 C 13812	WIRE ASSEMBLY - regulator (Red 9") (Black 13")	1
22 C 10985	WIRE - head lamp to head lamp ground (Black 9" and 5")	1
23 C 10592	WIRE - ignition switch to coil (Green 36")	1
24 C 12192	WIRE - regulator to generator field (Black 17")	1
25 C 12197	CABLE - battery to starter switch (Black 18")	1
26 C 12198	CABLE - battery to ground (Black 10-3/4")	1
27 C 12199	CABLE - starter switch to generator (Black 20-1/2")	1
28* C 13618	LAMP ASSEMBLY - warning generator indicator	1
29* A 24354	BULB - warning lamp (Red)	1
28** C 12209	LAMP ASSEMBLY - generator warning (Red lens)	1
29** B 50213	BULB - warning lamp (White)	1
30 C 10549	BRACKET - battery hold down	1

* Used on Model 155 Tractors Serial Number 9622668 and after.

* Used on Model 195 Tractors Serial Number 9627170 and after.

** Used on Model 155 Tractors prior to Serial Number 9622668.

** Used on Model 195 Tractors prior to Serial Number 9627170.

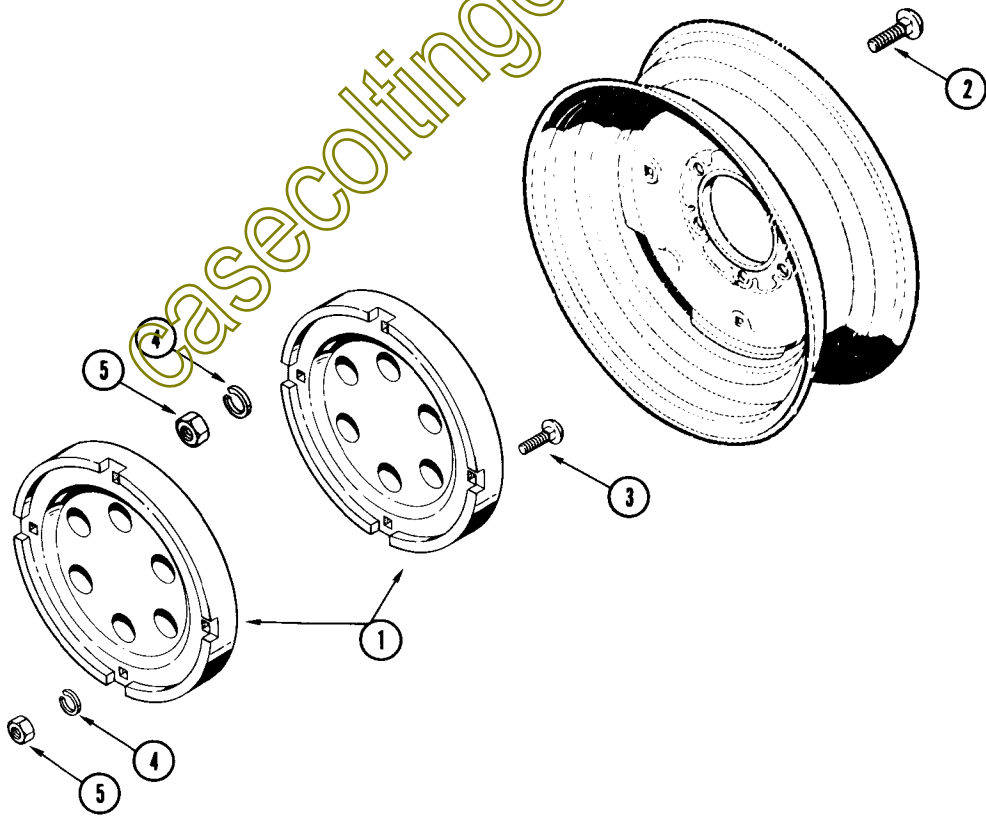
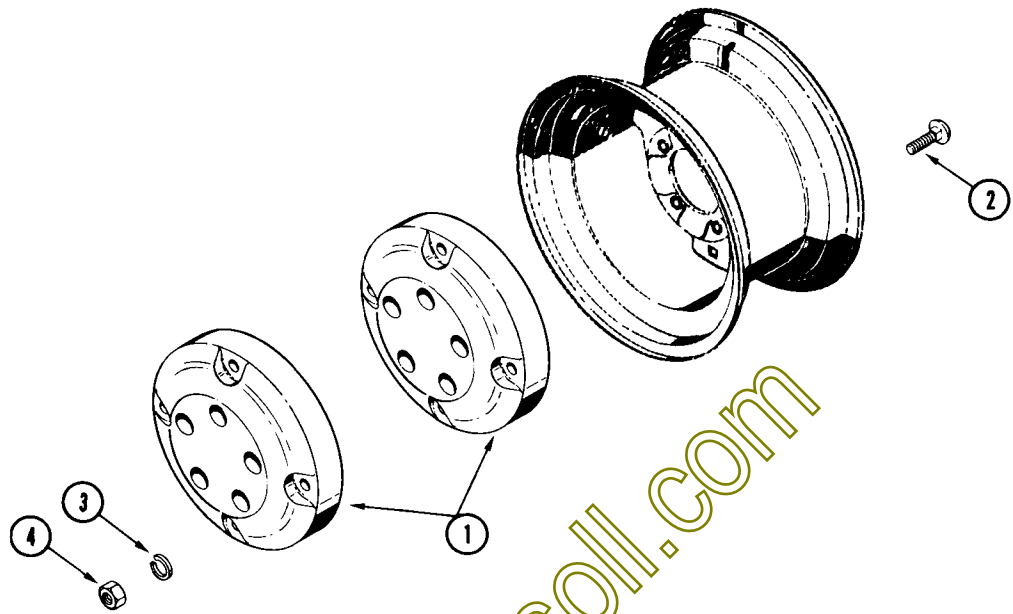


ELECTRICAL SYSTEM HARDWARE

REF. PART NO.	DESCRIPTION	REQ'D
1 113- 103	BOLT - 5/16" x 1" N.C., hex, Z.P.	3
2 192- 20	LOCKWASHER - 5/16" Z.P.	2
3 195- 520	WASHER - plain 5/16" Z.P.	1
4 129- 102	NUT - 5/16" N.C., hex, Z.P.	2
5 11- 512	BOLT - 5/16" N.C., rd. hd., square neck, battery positive cable ..	1
6 11- 412	BOLT - 1/4" N.C., rd. hd., square neck, battery ground cable ...	1
7 129- 101	NUT - 1/4" N.C., hex, Z.P.	3
8 C 10472	CLIP - wire holder	2
9 173- 224	SCREW - #8 x 1/4" round head	4
10 193- 91	WASHER - #8 internal tooth	2
11 C 12683	NUT - 3/4" escutcheon	1
12 C 14060	NUT - 3/4" back up	1
13 C 10836	NUT - speed type U	2
14 187- 131	SCREW - #10 x 3/4" Self-tapping, flat head, Z.P.	2
15 111- 128	BOLT - 1/4" x 3/4" N.C., rd. hd., square neck, blk., Z.P.	2
16 192- 19	LOCKWASHER - 1/4" Z.P.	2
17 193- 82	WASHER - 5/16" internal tooth, Z.P.	2
18 C 14088	NUT - 3/8"	2
19 C 12617	WASHER - 3/8" plain	1
20 113- 1	BOLT - 1/4" x 1/2" N.C., hex, Z.P.	2
21 KO 235196	SUPPORT - starter generator	1
22 113- 221	BOLT - 3/8" x 7/8" N.C., hex, Z.P.	2
23 192- 21	LOCKWASHER - 3/8"	2
24 KO 235197	SUPPORT - starter generator adjust	1
25 C 14089	KNOB - light switch	1
26 169- 131	SCREW - #8 N.C. x 5/16" fillister head	3
27 129- 122	NUT - 5/16" N.F. hex, Z.P.	2
28 193- 57	WASHER - 1/4" external tooth, Z.P.	2
29 KO 235203	BRACKET - starter generator adjust	1

BREAKER CONTACTS

1. KOA231533	LEAD - breaker contact (Includes grommet)	1
2 KO 220297	GROMMET - contact lead	1
3 173- 210	SCREW - #10-24 x 3/8" rd. hd., Z.P.	4
4 192- 18	LOCKWASHER - 3/16" Z.P.	4
5 KO 232535	COVER - breaker contact	1
6 KO 220174	GASKET - cover	1
7 187- 408	SCREW - #6-32 x 3/8" Self-tapping	1
8 173- 224	SCREW - breaker contact mounting #8 x 1/4" N.C., rd. hd.	1
9 193- 5	LOCKWASHER - #8 internal tooth	1
10 KO 220475	POINT SET - breaker contact	1
11 KO 220476	BRACKET - breaker contact mounting	1
12 KOX 389-1	ROD - breaker contact push	1
13 KO 275303	CLIP - wire	1



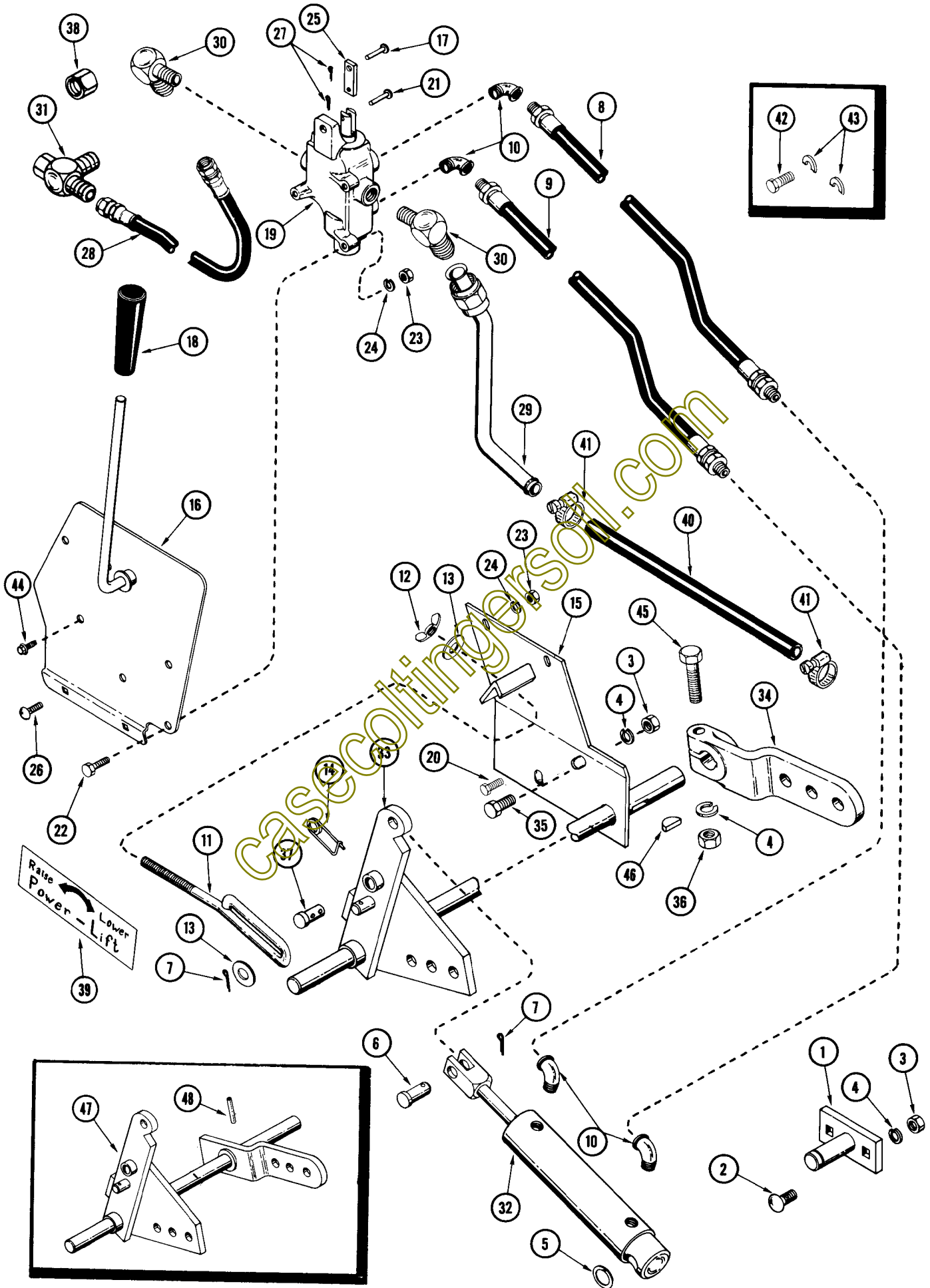
D8 WHEEL WEIGHTS - MODEL 155

REF. PART NO.	DESCRIPTION	REQ'D
1 NSS	WEIGHT - wheel, 12" (order as machinery item)	4
2 111- 532	BOLT - 1/2" x 3-3/4" rd. hd., square neck, N.C., Z.P.	8
3 192- 23	LOCKWASHER - 1/2" Z.P.	8
4 129- 105	NUT - 1/2" N.C., hex	8

D10 WHEEL WEIGHTS - MODEL 195

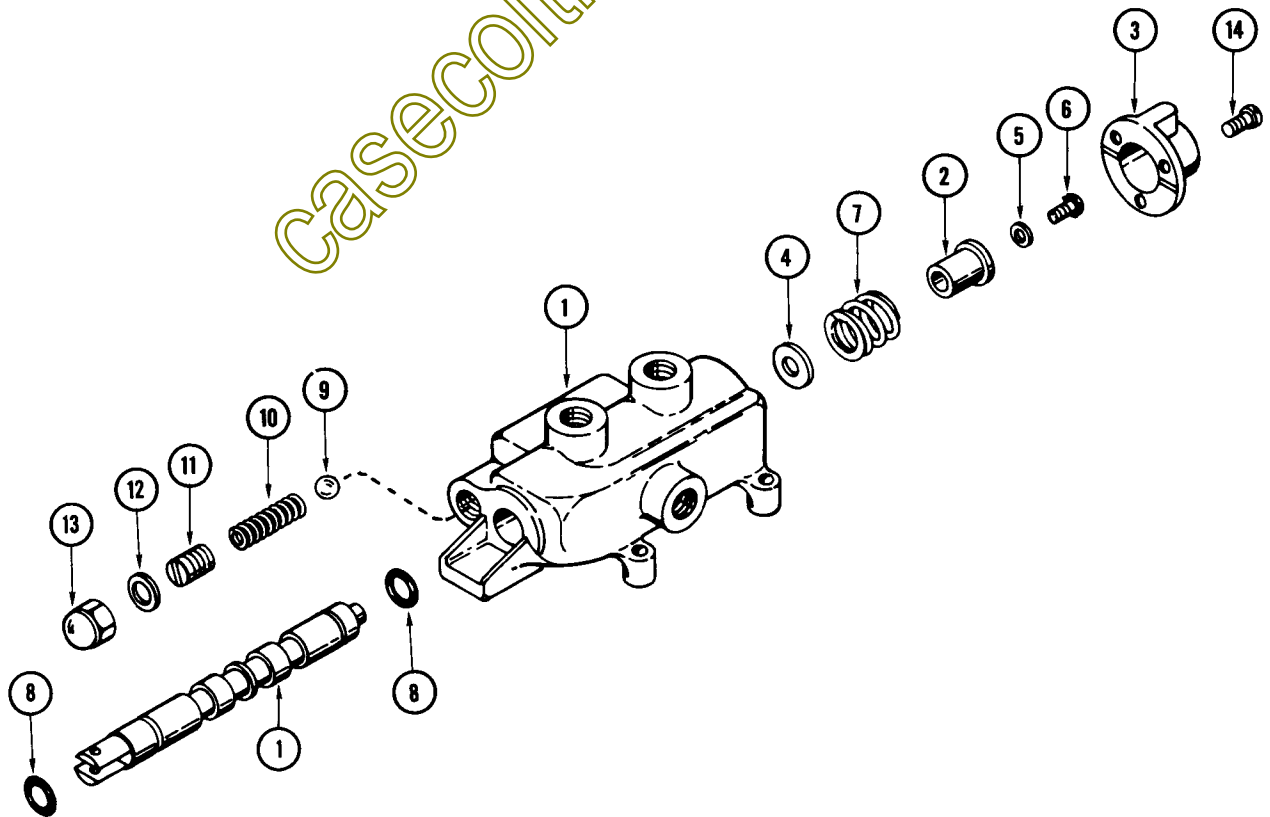
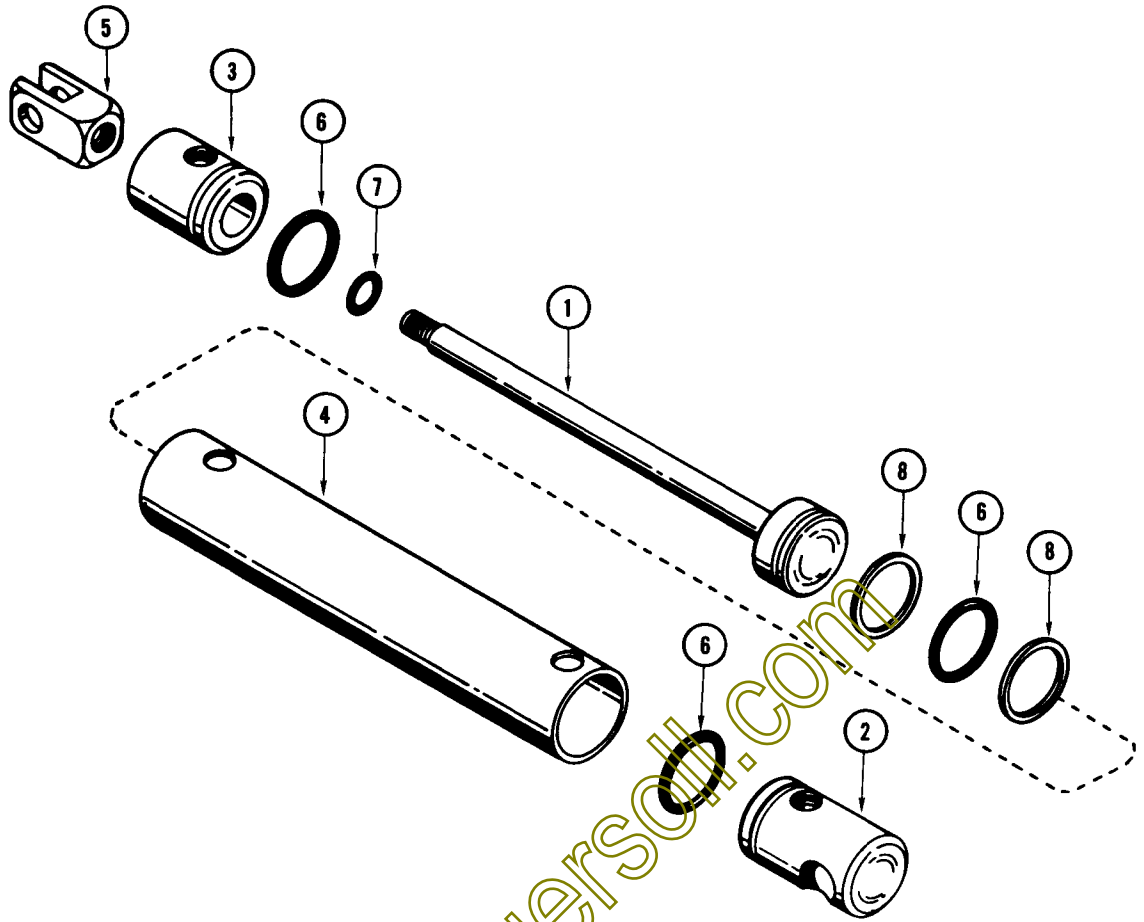
1 NSS	WEIGHT - wheel, 15" & 16" (order as machinery item)	4
2 111- 530	BOLT - 1/2" x 2-1/2" rd. hd., square neck, N.C., Z.P.	4
3 111- 531	BOLT - 1/2" x 2-3/4" rd. hd., square neck, N.C., Z.P.	4
4 92- 8	LOCKWASHER - 1/2" Z.P.	8
5 129- 105	NUT - 1/2" N.C., hex	8

casecoltingersoll.com



MODEL E25 HYDRAULIC LIFT KIT

REF. PART NO.	DESCRIPTION	REQ'D
1 C 12750	BRACKET - cylinder mounting	1
2 111- 319	BOLT - rd. hd., square neck, 3/8" x 1-1/4" N.C.	2
3 129- 103	NUT - 3/8" N.C., hex, Z.P.	3
4 192- 21	LOCKWASHER - 3/8" Z.P.	4
5 T 25683	RING - retaining	1
6 141- 5	PIN - clevis 1/2"	1
7 132- 310	PIN - cotter, 1/8" x 1" Z.P.	2
8 C 12674	HOSE - 12-1/2"	1
9 C 12675	HOSE - 20"	1
10 221- 412	ELBOW - street 1/4" NPTF	4
11 C 12792	LINK - stop	1
12 129- 410	NUT - wing 3/8" N.C., Z.P.	1
13 195- 530	WASHER - plain 1/2" Z.P.	2
14 C 10898	PIN - safety	1
15 C 12758	PLATE - stop	1
16 C 12628	PLATE - valve mounting	1
17 135- 137	PIN - Drive-Lok, 1/4" x 1-1/2"	1
18 C 12678	GRIP - lever	1
19 C 12677	VALVE - lift (Repairs see page 59)	1
20 115- 105	BOLT - 5/16" x 1" N.C., hex, Z.P.	1
21 141- 2	PIN - clevis 1/4" x 3/4"	2
22 113 4	BOLT - 1/4" x 1" N.C., hex, Z.P.	3
23 129- 101	NUT - 1/4" N.C., hex, Z.P.	5
24 192- 19	LOCKWASHER - 1/4" Z.P.	5
25 C 12633	LINK - valve	1
26 111- 112	BOLT - rd. hd., short square neck, 1/4" x 3/4" N.C., Z.P.	2
27 132- 5	PIN - cotter, 1/16" x 1/2" Z.P.	2
28 C 13317	HOSE - pressure	1
29 C 13329	TUBE - cooler	1
30 218- 1057	FITTING - 90°, 5/8" tube x 3/8" NPTF	2
31 C 11430	TEE - 5/8" x 5/8" x 1/2" tube	1
32 C 12676	CYLINDER - hydraulic (Repairs see page 59)	1
33 C 13804	LIFT LEVER ASSEMBLY	1
34 C 11870	LEVER - pivot	1
35 115- 204	BOLT - 3/8" x 1" N.C., hex, Z.P.	1
36 129- 102	NUT - 3/8" N.C., hex, Z.P.	1
37 C 12777	PIN - clevis 1/2"	1
38 218- 755	CAP - C11430 tee (For tube removal)	1
39 C 13210	DECAL - power lift	1
40 C 13330	HOSE - cooler	1
41 214- 253	CLAMP - hose	2
42 115- 204	BOLT - 3/8" x 1" N.C. (Required when installing E36 Snow Thrower)	1
43 C 13331	SHIM - 3/8" flat (Required when installing E36 Snow Thrower)	2
44 187- 1036	SCREW - 1/4" x 1/2" N.C., hex, self-tapping	3
45 113- 219	BOLT - 3/8" x 2" N.C., hex, Z.P.	1
46 126- 119	KEY - Woodruff #11	1
47 C 12793	LIFT LEVER ASSEMBLY - not available (Order one each Ref. No. 4, 33, 34, 36, 45, & 46)	1
48 141- 2	PIN - clevis	1



**MODEL E25 HYDRAULIC LIFT KIT
C12676 LIFT CYLINDER**

REF. PART NO.	DESCRIPTION	REQ'D.
1 C 12880	ROD - cylinder	1
2 C 12883	HEAD - cylinder	1
3 C 12884	HEAD - cylinder rod end	1
4 C 12885	TUBE - cylinder	1
5 C 12886	CLEVIS - rod end	1
6 D 26819	"O" RING - 1-1/2" OD	3
7 A 27410	"O" RING - 3/4" OD	1
8 C 12903	WASHER - back up	2

C 12677 DIRECTIONAL VALVE

1	NSS	BODY AND SPOOL ASSEMBLY	1
2	C 13200	SPACER	1
3	C 13201	CAP - end	1
4	195- 521	WASHER - plain 3/8"	1
5	195- 510	WASHER - plain 3/16"	1
6	193- 524	SCREW - rd. hd. slotted w/ext.lockwasher #10-32 x 3/8"	1
7	C 13202	SPRING - return	1
8	D 40816	SEAL - "O" ring	2
9	211- 9	BALL - steel	1
10	C 13203	SPRING - relief	1
11	C 13207	SCREW - relief adj. 7/16-20 x 5/8"	1
12	C 13204	GASKET - relief cap	1
13	129- 531	CAP - acorn 7/16" N.F.	1
14	169- 146	SCREW - fill. hd., #8-32 x 3/8" N. C. ZP	3

NUMERICAL INDEX

PART NO.	PAGE NO.	REF. NO.	PART NO.	PAGE NO.	REF. NO.	PART NO.	PAGE NO.	REF. NO.			
A	7982	37	5	A	72026	41	16	A	72086	21	7
A	7982	37	26	A	72026	41	40	A	72087	21	18
A	10326	17	55	A	72027	41	15	A	72088	21	22
A	11275	45	36	A	72027	41	39	A	72089	21	23
A	11276	51	9	A	72028	41	3	A	72090	21	21
A	11280	51	8	A	72028	41	27	A	72091	21	5
A	11538	49	10	A	72030	41	9	A	72085	21	3
A	17528	41	8	A	72030	41	33	A	72092	21	26
A	24354	51	29	A	72031	41	10	A	72093	21	27
A	24526	45	4	A	72031	41	34	A	72094	21	25
A	25423	25	9	A	72034	41	13	A	72095	21	30
A	25441	25	31	A	72034	41	37	A	72096	21	29
A	25447	25	20	A	72036	41	21	A	72097	21	24
A	25461	25	4	A	72036	41	45	A	72098	21	19
A	27251	51	11	A	72038	25	7	A	72099	21	20
A	27410	51	7	A	72039	25	5	A	72100	13	57
A	27891	37	6	A	72040	25	6	A	72100	15	57
A	30064	31	10	A	72041	25	23	A	72100	19	10
A	30881	29B	7	A	72042	25	10	A	72101	21	16
A	35956	39	6	A	72043	25	17	A	72102	21	8
A	37247	49	6	A	72044	25	21	A	72103	21	32
A	40736	25	22	A	72046	25	32	A	72104	25	2
A	70058	27	4	A	72047	25	33	A	72108	13	56
A	70062	31	11	A	72048	25	11	A	72108	15	56
A	70090	5	5	A	72049	25	18	A	72108	19	31
A	70100	19	3	A	72050	25	29	A	72112	41	41
A	70108	19	17	A	72051	41	18	A	72113	41	42
A	70109	35	34	A	72055	37	10	B	18208	29B	4
A	70109	35B	1	A	72056	37	17	B	18208	33	14
A	70111	35	30	A	72057	37	9	B	50213	51	28
A	70111	35B	17	A	72058	37	7	B	59393	13	48
A	70111	39	18	A	72059	37	4	B	59393	15	48
A	70112	39	21	A	72060	37	12	C	10235	28	26
A	70117	35	19	A	72061	37	18	C	10243	33	38
A	70117	35B	18	A	72061	37	25	C	10246	29B	28
A	70127	33	21	A	72062	37	16	C	10252	33	36
A	70127	35	4	A	72062	37	27	C	10253	33	33
A	70127	35B	27	A	72063	37	13	C	10254	33	30
A	70128	35	2	A	72064	37	22	C	10258	35	28
A	70128	35B	26	A	72065	37	3	C	10258	35B	31
A	70131	33	37	A	72066	37	14	C	10258	39	1
A	70137	33	2	A	72067	37	15	C	10259	33	12
A	70141	33	6	A	72068	37	20	C	10261	33	31
A	70142	33	3	A	72069	37	6	C	10264	35	20
A	70143	33	7	A	72070	37	21	C	10264	35B	14
A	70185	31	12	A	72070	37	24	C	10266	35	13
A	70202	51	1	A	72071	37	8	C	10267	35	17
A	70205	17	21	A	72072	37	23	C	10267	35B	13
A	70221	51	7	A	72073	19	11	C	10283	45	22
A	70233	43	34	A	72073	21		C	10291	33	15
A	70392	27	2	A	72074	21	6	C	10292	33	40
A	72000	39	3	A	72075	21	17	C	10296	33	28
A	72001	39	11	A	72076	21	2	C	10298	33	39
A	72002	39	12	A	72077	21	1	C	10299	33	18
A	72003	39	5	A	72078	21	10	C	10302	33	25
A	72004	39	8	A	72079	21	9	C	10303	33	22
A	72005	39	7	A	72080	21	13	C	10311	17	15
A	72007	39	13	A	72081	21	11	C	10311	23	11
A	72024	41	19	A	72082	21	12	C	10312	17	16
A	72024	41	43	A	72083	21	15	C	10312	23	12
A	72025	41	17	A	72084	21	14	C	10314	31	2

NUMERICAL INDEX

PART NO.	PAGE NO.	REF. NO.	PART NO.	PAGE NO.	REF. NO.	PART NO.	PAGE NO.	REF. NO.			
C	10317	31	9	C	11533	45	20	C	12146	33	5
C	10338	47	3	C	11534	45	14	C	12147	33	4
C	10349	45	2	C	11545	19	15	C	12149	35	23
C	10348	35	38	C	11582	45	26	C	12156	33	13
C	10348	35B	20	C	11635	43	3	C	12165	45	15
C	10356	47	6	C	11636	43	1	C	12168	49	8
C	10360	45	12	C	11637	43	2	C	12180	43	30
C	10361	45	13	C	11640	33	1	C	12181	43	31
C	10370	45	8	C	11642	39	7	C	12187	17	36
C	10371	45	9	C	11643	39	8	C	12192	51	24
C	10372	5	2	C	11644	39	4	C	12193	51	17
C	10380	43	6	C	11685	27	9	C	12194	51	18
C	10395	43	7	C	11841	28	30	C	12197	51	25
C	10396	43	8	C	11870	47	4	C	12198	51	26
C	10413	45	3	C	11870	57	34	C	12199	51	27
C	10419	35	15	C	11902	29B	29	C	12203	19	16
C	10419	35B	25	C	11906	29	5	C	12203	45	16
C	10421	43		C	11942	49	5	C	12205	27	8
C	10423	43	12	C	11943	49	3	C	12206	27	16
C	10424	43	15	C	11953	29B	30	C	12209	51	28
C	10429	43	5	C	11998	33	16	C	12211	19	7
C	10433	43	21	C	11999	29	1	C	12212	43	32
C	10449	47	1	C	12000	29B	1	C	12223	17	37
C	10472	53	8	C	12003	29	23	C	12224	17	35
C	10474	51	6	C	12003	29B	24	C	12234	45	10
C	10479	19	1	C	12011	33	29	C	12263	31	1
C	10482	47	7	C	12013	33	20	C	12269	51	19
C	10487	23	3	C	12067	35	17	C	12270	51	20
C	10489	43	13	C	12067	35B	13	C	12276	43	35
C	10490	43	14	C	12070	35	20	C	12277	43	36
C	10492	17	1	C	12070	35B	14	C	12280	47	5
C	10493	35	28	C	12071	5	1	C	12304	35	1
C	10493	35B	31	C	12072	35	35	C	12304	35B	30
C	10493	39	1	C	12072	35B	19	C	12304	41	25
C	10502	23	2	C	12081	31	3	C	12305	35	1
C	10503	23	3	C	12091	23	15	C	12305	35B	30
C	10504	23	5	C	12093	49	4	C	12305	41	1
C	10505	23	6	C	12094	23	2	C	12370	31	7
C	10506	23	7	C	12102	29	19	C	12394	35	7
C	10507	23	8	C	12102	29B	19	C	12395	35	8
C	10549	51	30	C	12103	29B	13	C	12396	35	7
C	10569	27	1	C	12104	29B	27	C	12397	35	8
C	10592	51	23	C	12110	31	5	C	12524	37	19
C	10596	45	11	C	12111	31	6	C	12506	43	38
C	10657	19	6	C	12114	45	10	C	12526	29	15
C	10678	19	8	C	12115	29B	12	C	12527	28	28
C	10836	53	13	C	12115	29	13	C	12583	33	9A
C	10883	23	5	C	12115	49	23	C	12584	33	8A
C	10898	57	14	C	12116	27	9	C	12597	49	1
C	10936	43	37	C	12125	27	7	C	12603	17	22
C	10952	29B	9	C	12126	27	5	C	12604	49	2
C	10985	51	22	C	12127	49	7	C	12608	23	13
C	10987	37	32	C	12132	49	13	C	12612	49	19
C	10988	37	31	C	12135	49	4	C	12617	53	19
C	10989	37	30	C	12139	49	2	C	12619	31	11
C	10990	37	29	C	12140	31	1	C	12620	31	6
C	11247	51	3	C	12141	31	1	C	12621	31	2
C	11295	45	1	C	12142	35	21	C	12623	31	7
C	11332	33	43	C	12143	33	9	C	12624	31	5
C	11430	57	31	C	12144	33	8	C	12625	31	10
C	11529	19	2	C	12145	49	7	C	12628	57	16

NUMERICAL INDEX

PART NO.	PAGE NO.	REF. NO.	PART NO.	PAGE NO.	REF. NO.	PART NO.	PAGE NO.	REF. NO.			
C	12633	57	25	C	13512	37	1	KO	220475	53	10
C	12653	31		C	13513	37	9	KO	220476	53	11
C	12654	31		C	13514	37	8	KO	230011	7	20
C	12656	31	15	C	13515	37	3	KO	230011	7	43
C	12674	57	8	C	13583	29	2	KO	230170-S	7	16
C	12675	57	9	C	13584	29	3	KO	230170-S	7	39
C	12676	57	32	C	13586	29B	2	KO	230170-S	13	9
C	12677	57	19	C	13587	29B	3	KO	230170-S	15	9
C	12678	57	18	C	13596	27	12	KO	230675	19	30
C	12682	41	12	C	13597	45	28	KO	230722	51	13
C	12682	41	36	C	13603	29	14	KO	231032	7	5
C	12683	53	11	C	13605	29B	18	KO	231032	13	50
C	12684	51	5	C	13614	27	13	KO	231032	15	50
C	12729	33	44	C	13618	51	28	KO	231052	17	49
C	12740	23	6	C	13621	45	27	KO	231281	51	14
C	12750	57	1	C	13622	45	27	KO	231355	17	64
C	12750	47	16	C	13663	35B	16	KO	232535	51	15
C	12758	57	15	C	13677	29	9	KO	232535	53	5
C	12777	57	37	C	13679	29B	14	KO	235003	9	11
C	12792	57	11	C	13694	23B		KO	235003	11	11
C	12793	57	47	C	13716	29B	5	KO	235004	9	7
C	12813	23	14	C	13756	17	23	KO	235007-S	7	17
C	12880	59	1	C	13795	27	25	KO	235007-S	7	40
C	12883	59	2	C	13800	27	26	KO	235007-S	13	10
C	12884	59	3	C	13801	27	18	KO	235007-S	15	10
C	12885	59	4	C	13811	31	8	KO	235008	7	15
C	12886	59	5	C	13804	57	33	KO	235008	7	38
C	12903	59	8	C	13812	51	21	KO	235010	7	19
C	12975	29B	11	C	13848	17	34	KO	235010	7	42
C	12975	29	12	C	13888	45	33	KO	235011	7	18
C	13076	23B	13	C	13922	17	17	KO	235011	7	41
C	13077	23B	7	C	13933	17	24	KO	235025	13	16
C	13079	23B	15	C	13934	43	33	KO	235025	13	52
C	13081	23B	5	C	13944	17	18	KO	235025	15	16
C	13083	23B	12	C	13985	51	4	KO	235025	15	52
C	13085	23B	11	C	14018	49	16	KO	235026	13	17
C	13086	23B	1	C	14019	49	15	KO	235026	15	17
C	13087	23B	9	C	14039	23B	17	KO	235047	7	9
C	13089	23B	2	C	14051	33	17	KO	235048	7	6
C	13091	28	27	C	14059	49	3	KO	235048	13	51
C	13092	28	29	C	14060	53	12	KO	235048	15	51
C	13106	29B	8	C	14088	53	18	KO	235052	17	7
C	13200	59	2	C	14089	53	25	KO	235053	7	27
C	13201	59	3	C	14090	35B	12	KO	235053	7	50
C	13202	59	7	C	14091	35B	11	KO	235054	17	14
C	13203	59	10	C	14092	35B	12	KO	235057	13	59
C	13204	59	12	C	14093	35B	11	KO	235057	15	59
C	13207	59	11	C	14094	23	1	KO	235062	13	31
C	13210	57	39	C	14095	23B	14	KO	235070	13	29
C	13244	23	1	D	26819	59	6	KO	235070	13	54
C	13289	47	2	D	32477	25	25	KO	235070	15	29
C	13317	57	28	D	40816	59	8	KO	235070	15	54
C	13329	57	29	F	19478	33	19	KO	235084	17	52
C	13330	57	40	F	62147	27	22	KO	235085	17	51
C	13331	57	43	G	10659	31	9	KO	235086	17	50
C	13341	35B	32	G	13827	39	14	KO	235097	19	23
C	13356	47	1	G	49048	27	11	KO	235117	7	8
C	13357	47	3	KO	220174	13	49	KO	235118	7	7
C	13389	45	28	KO	220174	15	49	KO	235125-S	13	11
C	13414	35B	15	KO	220174	53	6	KO	235125-S	15	11
C	13510	37	5	KO	220297	53	2	KO	235125-S	17	62

NUMERICAL INDEX

PART NO.	PAGE NO.	REF. NO.	PART NO.	PAGE NO.	REF. NO.	PART NO.	PAGE NO.	REF. NO.
KO 235165	13	45	KO 240013	7	44	KOX 271-30	11	24
KO 235165	15	45	KO 270889	13	3	KOX 271-30	13	34
KO 235175	13	2	KO 270889	15	3	KOX 271-30	13	46
KO 235175	15	2	KO 271077	13	1	KOX 271-30	15	34
KO 235196	53	21	KO 271077	15	1	KOX 271-30	15	46
KO 235197	53	24	KO 275066	7	26	KOX 293-4	13	12
KO 235203	51	14	KO 275066	7	49	KOX 293-4	15	12
KO 235207	17	6	KO 275067	7	26	KOX 293-4	17	60
KO 235277	17	56	KO 275067	7	49	KOX 366-1	9	23
KO 235278	17	57	KO 275143	7	4	KOX 366-1	11	23
KO 235287	9	2	KO 275220	7	3	KOX 379-6	9	19
KO 235288	9	16	KO 275303	53	13	KOX 379-6	11	19
KO 235289	9	16	KO 275341	5	10	KOX 379-6	13	27
KO 235290	9	16	KO 275341	13	58	KOX 379-6	13	47
KO 235353	13	20	KO 275341	15	58	KOX 379-6	15	27
KO 235353	13	53	KO 275341	19	14	KOX 379-6	15	47
KO 235353	15	20	KO 275690	17	48	KOX 389-1	53	12
KO 235353	15	53	KOA 536	5	3	M 20007	51	10
KO 235368	17	5	KOA 231533	51	16	M 20164	51	2
KO 235476	17	58	KOA 231533	53	1	O 1594-N	30	14
KO 235494	17	41	KOA 235095	51	12	O 9638AB	37	11
KO 235496	17	45	KOA 235100	5	1	R 15077	25	19
KO 235526	9	13	KOA 235139-10	9	18	R 15079	25	13
KO 235526	11	13	KOA 235139	9	10	R 15087	25	3
KO 235572	9	8	KOA 235256	17	59	R 15090	25	8
KO 235573	9	17	KOA 235327	7	22	R 15105	25	36
KO 235631	7	10	KOA 235327	7	45	R 15106	25	1
KO 235656	13	4	KOA 235569	9	15	R 16147	25	12
KO 235748	13	42	KOA 235571	9	15	R 16148	25	16
KO 235748	15	42	KOA 235611	9	6	R 16170	25	30
KO 235751	25	34	KOA 235616	9	15	T 13224	37	28
KO 235757	13	29	KOA 235646	7	25	T 25683	27	6
KO 235757	13	54	KOA 235646	7	48	T 25683	29	4
KO 235757	15	29	KOA 235711	9	22	T 25683	31	8
KO 235757	15	54	KOA 235737	13	8	T 25683	57	5
KO 235803	11	8	KOA 235743	17	61	T 25683	29B	31
KO 235810	13	5	KOA 235747	13	6	T 33615	23B	4
KO 235810	13	65	KOA 235747	15	6	T 33619	23B	3
KO 235810	15	5	KOA 235827	11	6	W 5063-S	9	21
KO 235810	15	55	KOA 235828	11	10	W 5063-S	11	21
KO 235811	11	7	KOA 235828-10	11	18	W 5063-S	13	41
KO 235815	13	31	KOA 235845	19	25	W 5063-S	15	41
KO 235815	15	31	KOA 235865	11	15	W 5063-S	35	31
KO 235818	13	35	KOA 235866	11	15	W 5063-S	35B	6
KO 235818	15	35	KOA 235867	11	15			
KO 235820	15	4	KOA 235949	11	22			
KO 235826	7	14	KOA 235952	15	8			
KO 235826	7	37	KOA 236205	19	26			
KO 235868	11	17	KOA 236293	15	7	11- 412	53	6
KO 235889	11	2	KOA 236303	13	7	11- 512	53	5
KO 235890	11	16	KOX 22-35	9	12	13- 510	33	42
KO 235891	11	16	KOX 22-35	11	12	13- 512	33	27
KO 235892	11	16	KOX 25-55	17	63	13- 652	39	2
KO 235950	13	23	KOX 25-67	17	47	13- 820	33	23
KO 235950	15	23	KOX 25-71	9	25	15- 420	17	42
KO 235951	17	11	KOX 25-71	11	25	15- 514	45	23
KO 235954	13	38	KOX 119-14	9	26	15- 540	27	14
KO 235954	15	38	KOX 119-16	11	26	15- 816	47	2
KO 235955	17	4	KOX 119-16	13	37	15- 836	47	4
KO 236387	19	32	KOX 119-16	15	37	25- 104	7	1
KO 240013	7	21	KOX 271-30	9	24	25- 104	17	44
						25- 104	35	40

HARDWARE CODE NUMBERS

NUMERICAL INDEX

PART NO.	PAGE NO.	REF. NO.	PART NO.	PAGE NO.	REF. NO.	PART NO.	PAGE NO.	REF. NO.
25- 105	35B	36	115- 103	43	18	138- 2002	33	32
25- 105	45	24	115- 105	57	20	138- 2005	49	14
25- 108	29	22	115- 203	23	10	138- 2026	47	8
25- 108	29B	22	115- 203	47	12	138- 2036	33	34
25- 108	47	5	115- 204	13	25	141- 2	57	17
25- 118	29	21	115- 204	15	25	141- 2	57	21
25- 118	29B	21	115- 204	57	35	141- 3	49	9
25- 1510	27	3	115- 204	57	42	141- 4	49	6
41- 18	13	13	115- 208	17	20	141- 56	29B	16
41- 18	15	13	118- 219	57	45	141- 56	29	17
61- 510	5	4	126- 12	35	29	141- 56	57	6
71- 410	19	18	126- 12	35B	37	151- 106	31	4
73- 410	35	39	126- 12	39	9	166- 6	37	1
73- 528	35B	34	126- 19	47	14	166- 8	37	2
83- 55	39	19	126- 22	23	4	166- 23	41	4
83- 56	23	12	126- 111	25	24	166- 23	41	28
92- 4	7	2	126- 119	57	46	166- 531	41	20
92- 4	35	41	129- 7	17	40	166- 532	41	44
92- 5	5	3	129- 37	17	53	166- 561	35	26
92- 5	33	26	129- 101	43	11	166- 561	35B	4
92- 5	33	41	129- 101	45	19	169- 77	21	28
92- 5	35B	35	129- 101	45	35	169- 131	53	26
92- 5	45	25	129- 101	53	5	169- 146	59	14
92- 8	29	20	129- 101	57	23	171- 209	35	36
92- 8	29B	20	129- 101	57	23	171- 209	35B	21
92- 8	33	24	129- 102	23	9	171- 209	35B	21
92- 8	47	3	129- 102	43	16	173- 207	45	18
92- 8	55	4	129- 102	49	10	173- 210	53	3
111- 1	17	38	129- 102	53	4	173- 215	19	4
111- 112	57	26	129- 103	57	36	173- 224	53	8
111- 128	45	21	129- 103	47	15	173- 224	53	9
111- 128	53	15	129- 103	57	3	173- 237	25	27
111- 129	45	34	129- 105	55	4	175- 46	43	19
111- 207	43	2A	129- 105	55	5	175- 400	43	9
111- 319	57	2	129- 122	53	27	175- 416	43	19
111- 530	55	2	129- 167	27	20	175- 436	17	10
111- 531	55	3	129- 294	19	5	177- 131	5	7
111- 532	55	2	129- 325	29B	23	182- 509	45	6
113- 1	53	20	129- 409	5	2	187- 131	53	14
113- 2	17	12	129- 410	57	12	187- 408	53	7
113- 4	57	22	129- 531	59	13	187- 1008	45	37
113- 6	13	19	129- 549	47	10	187- 1009	45	29
113- 6	15	19	129- 582	27	23	187- 1036	45	31
113- 6	17	3	131- 176	43	20	187- 1036	57	44
113- 102	53	1	131- 351	27	10	187- 1043	45	30
113- 103	19	13	131- 351	43	4	192- 8	25	14
113- 205	29	25	131- 366	31	13	192- 17	25	15
113- 205	29B	26	131- 413	45	5	192- 18	5	8
113- 206	13	14	132- 5	57	27	192- 18	17	39
113- 206	15	14	132- 24	23	4	192- 18	17	54
113- 206	49	12	132- 26	49	11	192- 18	25	28
113- 207	13	33	132- 47	29B	17	192- 18	53	4
113- 207	15	33	132- 47	29	18	192- 19	13	18
113- 207	35	32	132- 69	33	35	192- 19	15	18
113- 207	35B	2	132- 310	57	7	192- 19	17	2
113- 208	13	40	132- 311	29B	10	192- 19	17	9
113- 208	15	40	132- 311	29	11	192- 19	17	13
113- 219	47	9	132- 320	49	1	192- 19	17	46
113- 221	53	22	135- 137	57	48	192- 19		
114- 201	31	12	138- 102	33	11	192- 19	43	10
115- 103	23	7	138- 134	41	6	192- 19	53	16
			138- 134	41	30	192- 19	57	24

NUMERICAL INDEX

PART NO.	PAGE NO.	REF. NO.	PART NO.	PAGE NO.	REF. NO.	PART NO.	PAGE NO.	REF. NO.
192-	20	19	12	211-	9		59	9
192-	20	23	8	211-	9		23B	16
192-	20	43	17	211-	9		59	9
192-	20	49	9	211-	9		23B	16
192-	20	53	2	211-	10		37	4
192-	21	13	15	213-	3		49	8
192-	21	13	24	213-	4		49	5
192-	21	13	32	214-	253		19	9
192-	21	13	39	214-	253		35	14
192-	21	15	15	214-	253		35	16
192-	21	15	24	214-	253		57	41
192-	21	15	32	218-	445		35	18
192-	21	15	39	218-	445		35B	23
192-	21	17	19	218-	494		35	12
192-	21	23	9	218-	755		57	38
192-	21	29	24	218-	5006		35	9
192-	21	29B	25	218-	5006		35	25
192-	21	35	33	218-	5006		35B	8
192-	21	35B	3	218-	5007		35	6
192-	21	47	13	218-	5007		35B	29
192-	21	49	21	218-	5008		35	11
192-	21	53	23	218-	5008		35B	10
192-	21	57	4	218-	1057		57	30
192-	23	55	3	218-	5056		35	22
192-	26	25	35	218-	5059		35	24
193-	5	53	9	218-	5059		35B	7
193-	8	45	17	218-	5060		35	5
193-	9	45	7	218-	5060		35B	28
193-	31	35	27	218-	5062		35B	33
193-	31	35B	5	218-	5106		35	3
193-	34	27	21	218-	5108		35	10
193-	36	27	24	218-	5108		35B	9
193-	52	35	37	219-	1		31	4
193-	52	35B	22	219-	8		29B	6
193-	57	45	32	219-	38		29B	15
193-	57	53	28	219-	38		29	16
193-	60	19	19	219-	57		27	19
193-	82	41	5	221-	2		13	26
193-	82	41	29	221-	2		15	26
193-	82	53	17	221-	4		33	10
193-	91	53	10	221-	412		57	10
193-	524	59	6	221-	12		19	22
195-	104	49	18	222-	41		19	20
195-	510	59	5	222-	101		19	21
195-	512	5	9	222-	4021		19	24
195-	515	17	8	16905			36	2
195-	515	17	43	40035			9	20
195-	517	23	10	40035			11	20
195-	520	53	3	40035			13	28
195-	521	49	17	40035			15	38
195-	521	59	4					
195-	522	23	11					
195-	530	57	13					
195-	533	49	22					
195-	545	13	36					
195-	545	15	36					
195-	545	47	11					
195-	2082	27	15					
205-	27	13	30					
205-	27	15	30					
211-	3	21	4					

Be Safe...

***Insist on
GENUINE***



PARTS!